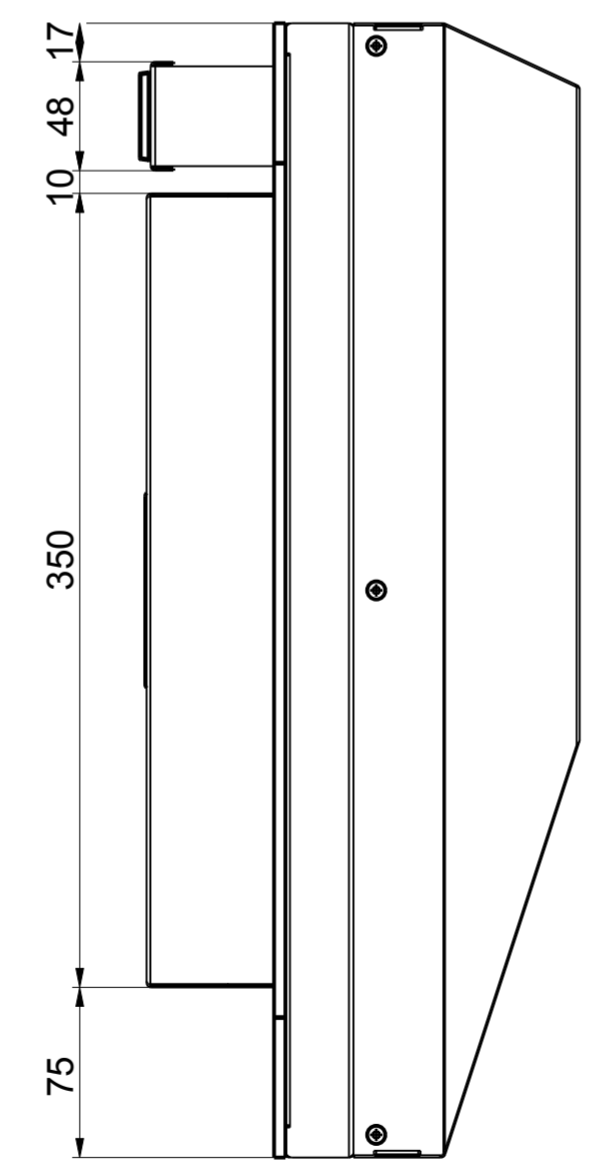
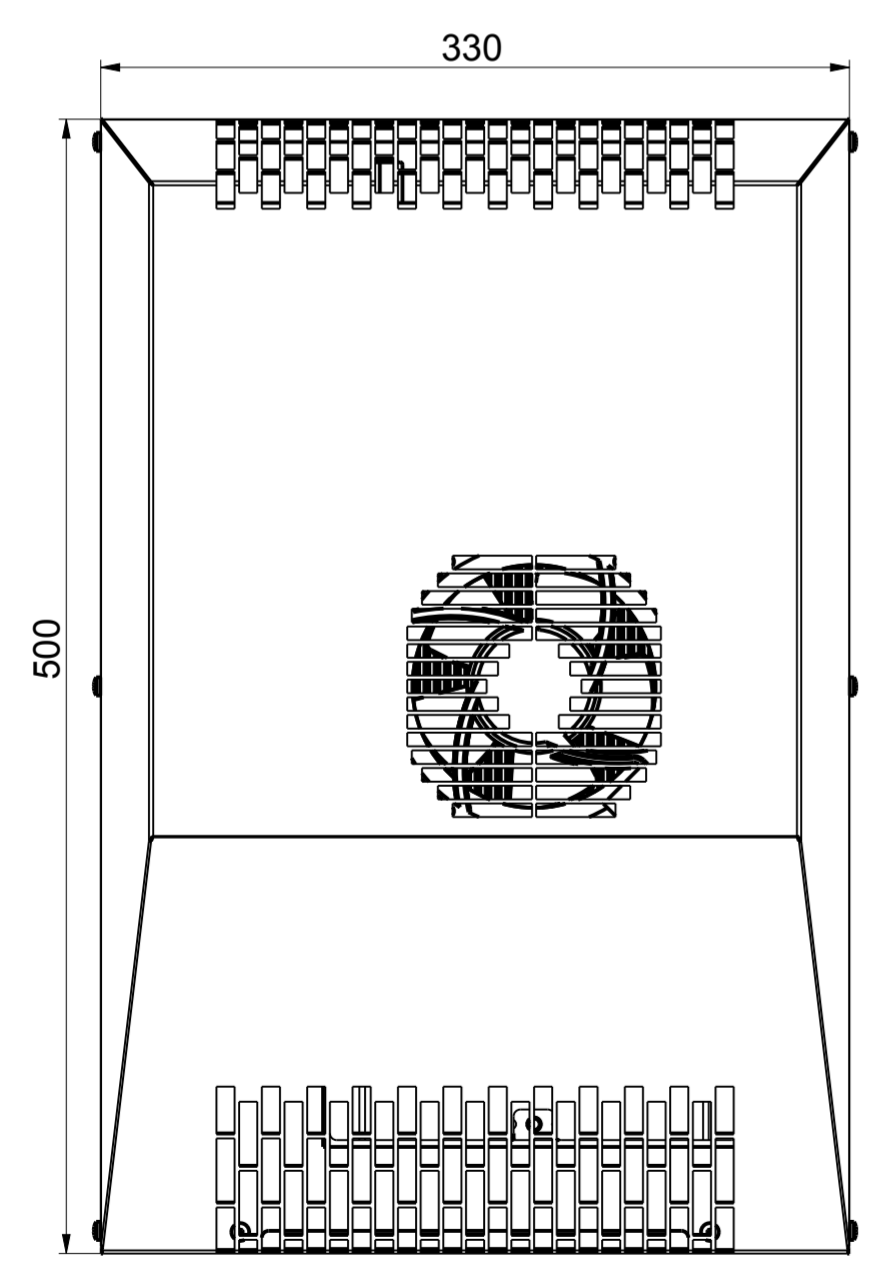
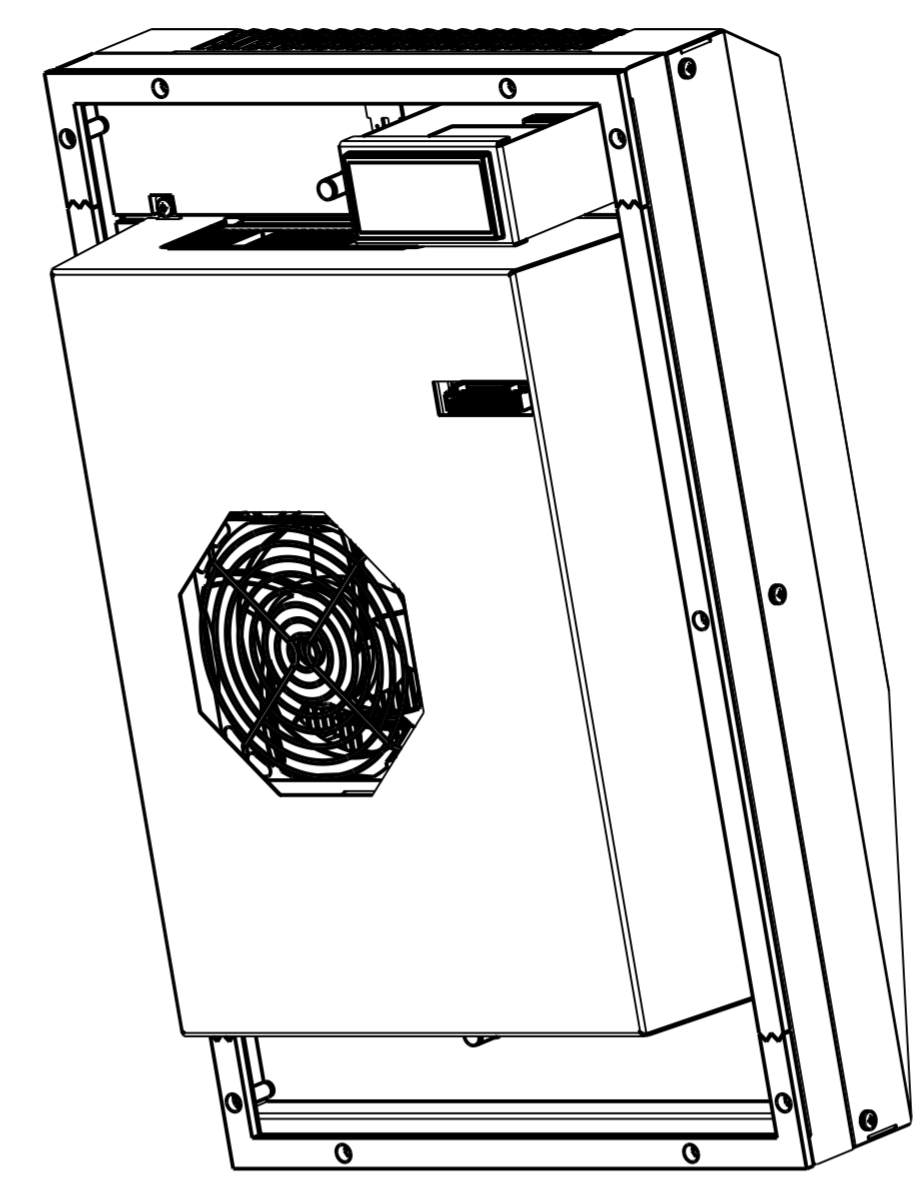
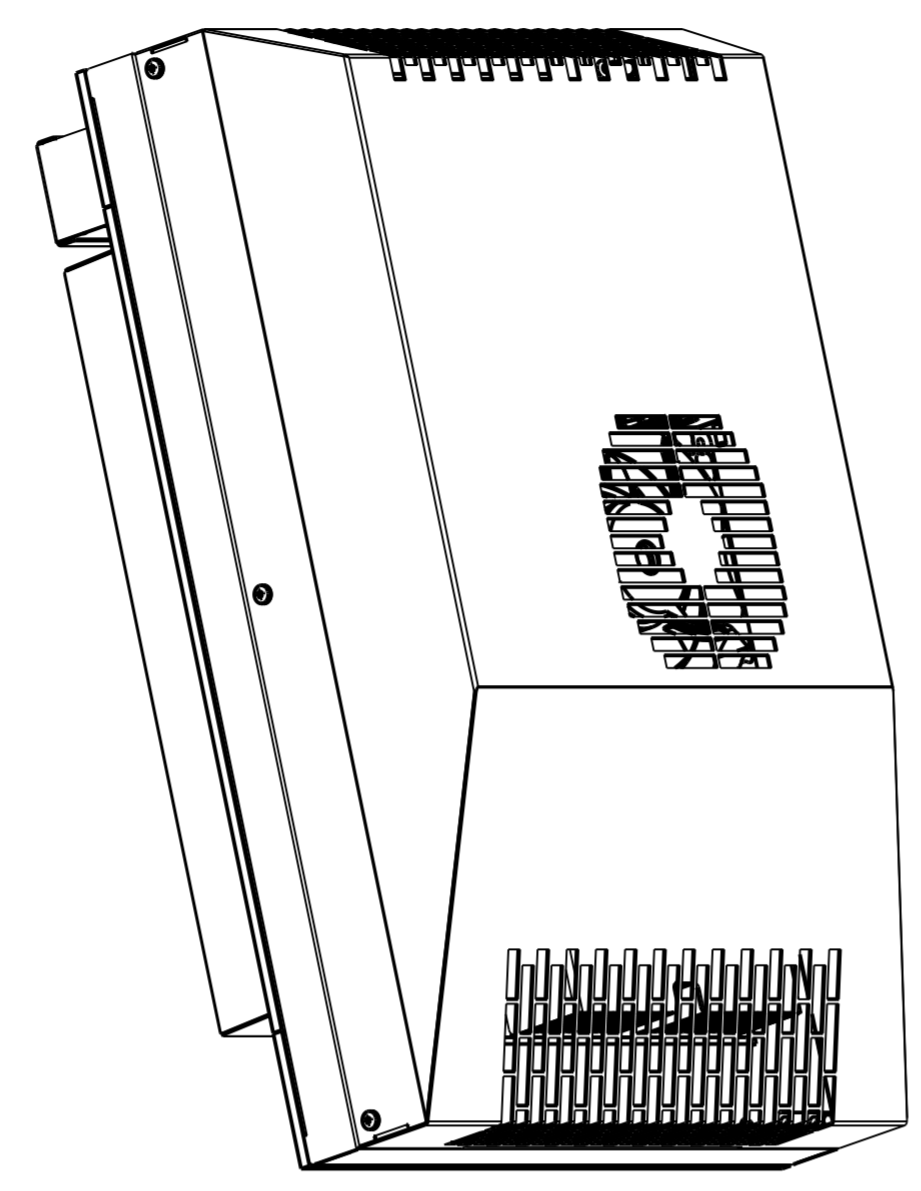
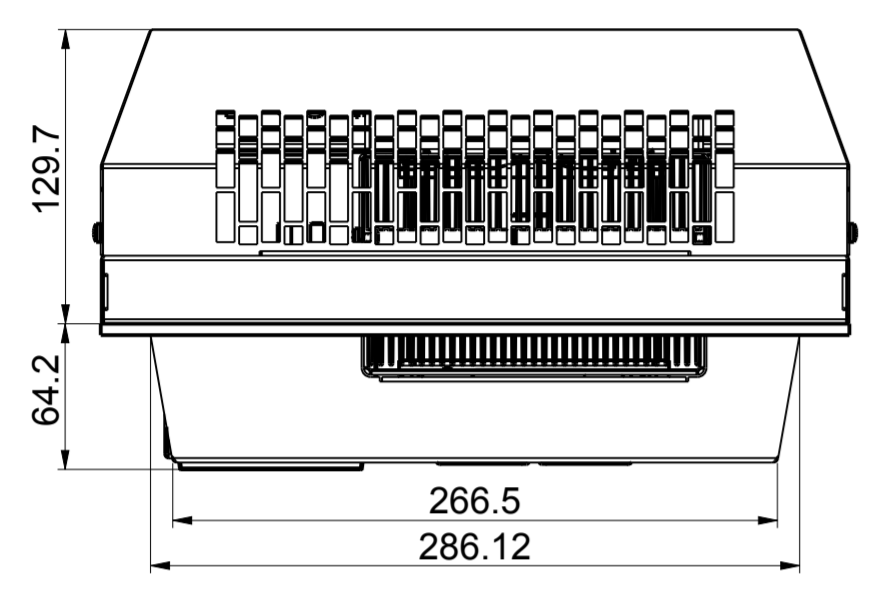


UNLESS OTHERWISE SPECIFIED, DIMENSIONS ARE IN MM. DIMENSIONS W/O TOLERANCES ISO2768-mK AS FOLLOWS. SURFACES ISO1302. TOLERANCES ARE NOT CUMULATIVE.

LINEAR DIMENSIONS							
0.5 to 3	>3 to 6	>6 to 30	>30 to 120	>120 to 400	>400 to 1000	>1000 to 2000	>2000 to 4000
±0.1	±0.1	±0.2	±0.3	±0.5	±0.8	±1.2	±2

ANGULAR DIMENSIONS					BEND DIRECTION	
to 10	>10 to 50	>50 to 120	>120 to 400	>400	↗ ↖	BEND OUT
±1°	±0°30'	±0°20'	±0°10'	±0°5'	↘ ↙	BEND IN

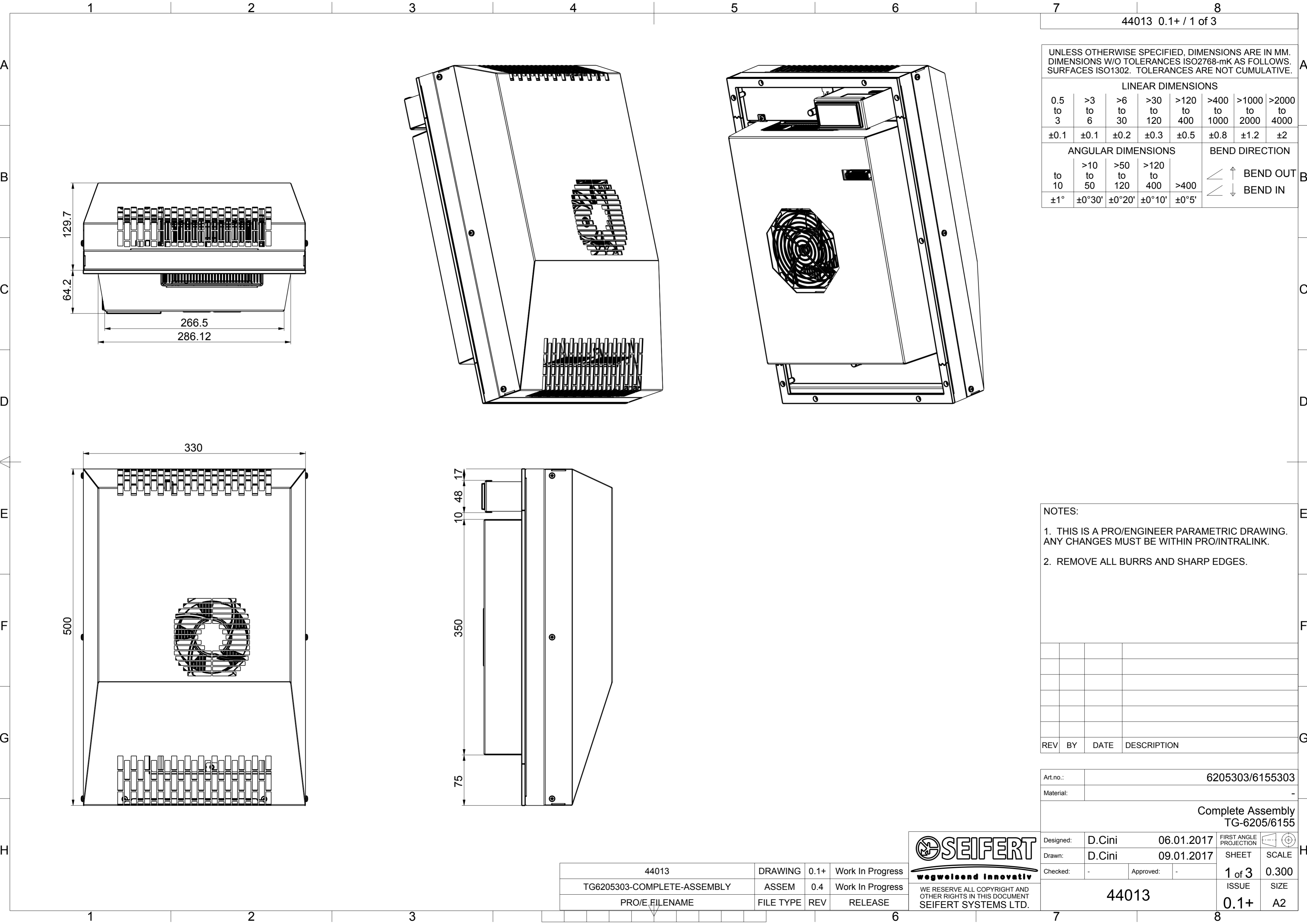


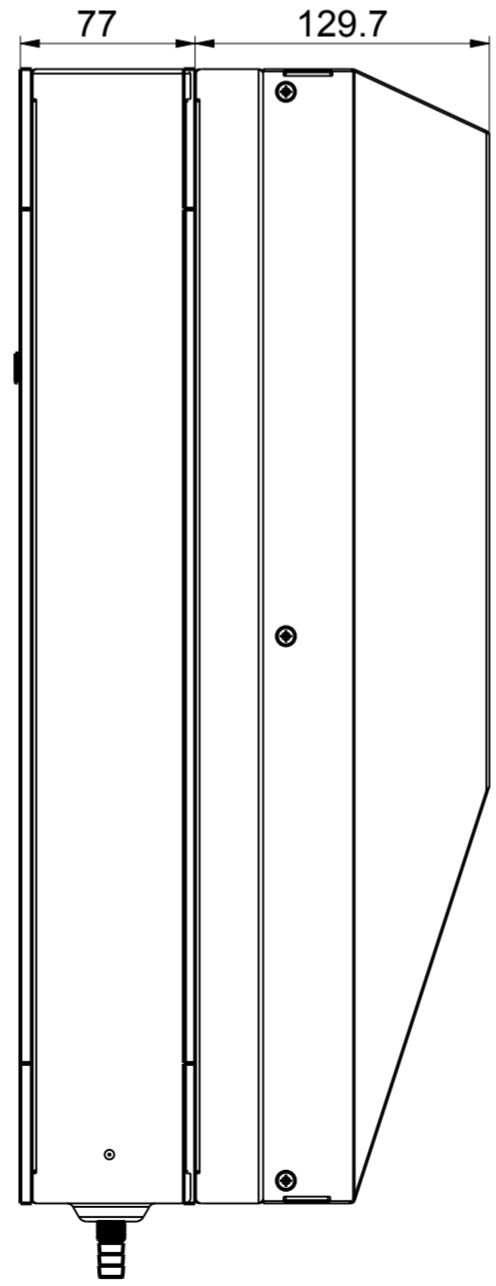
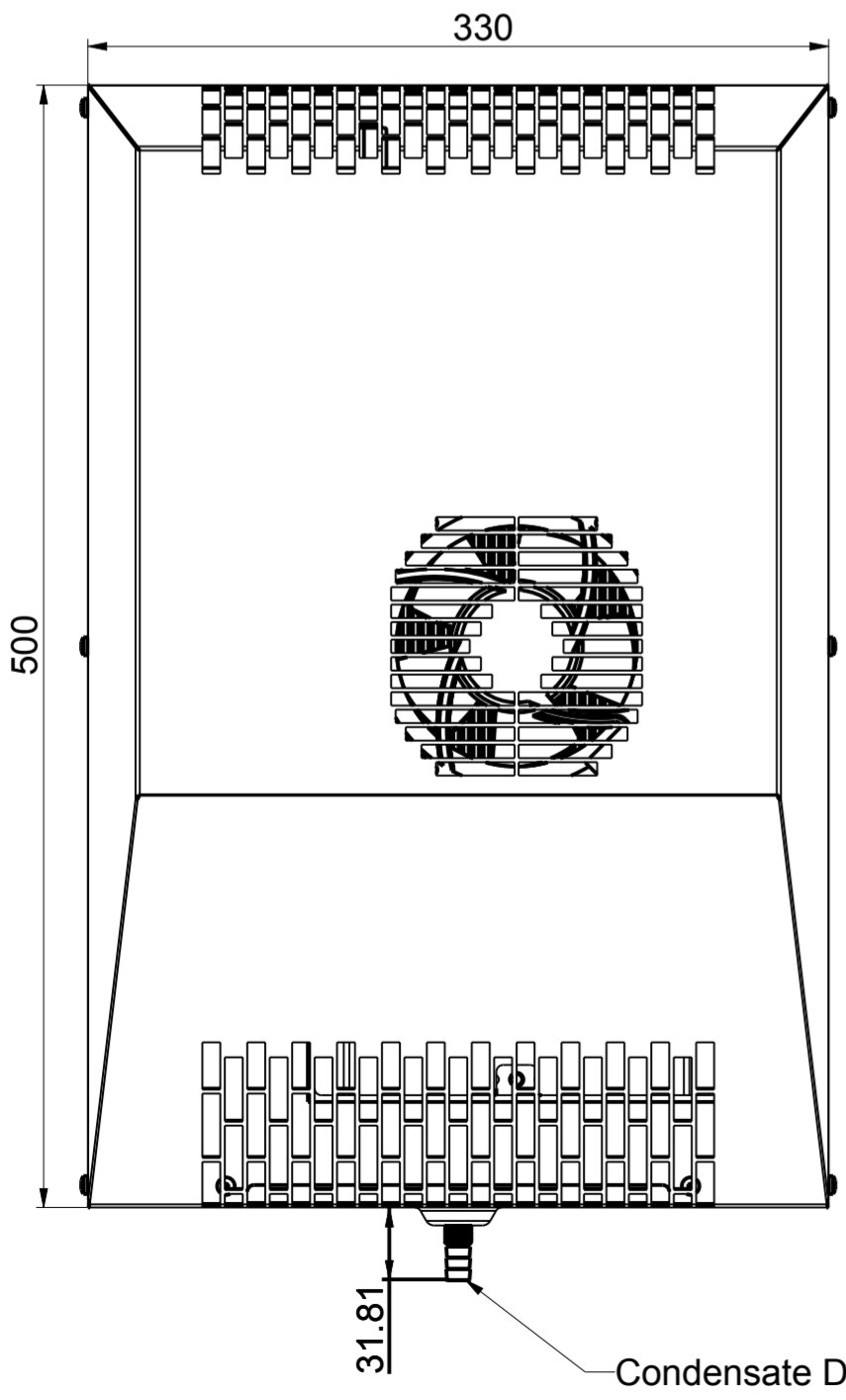
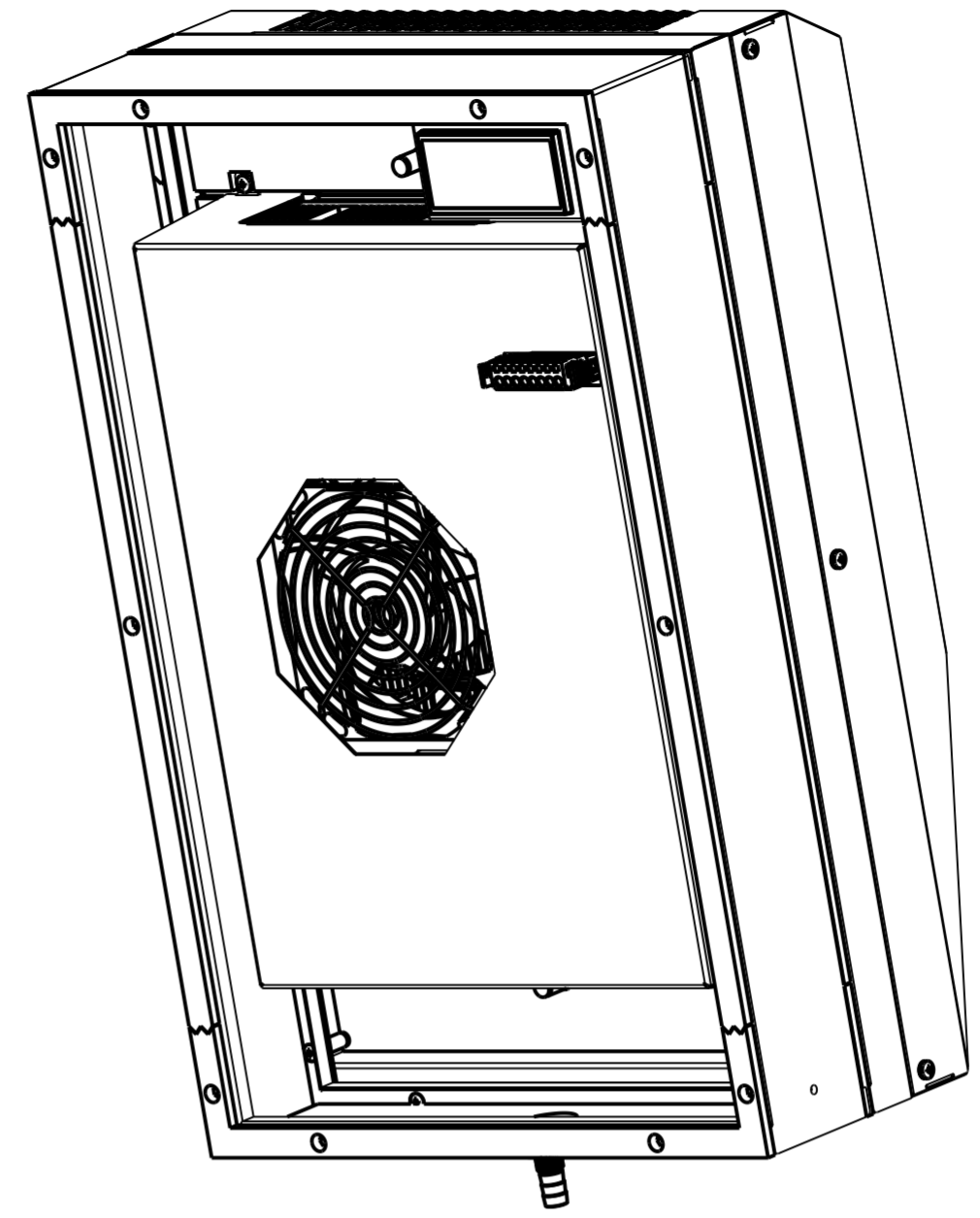
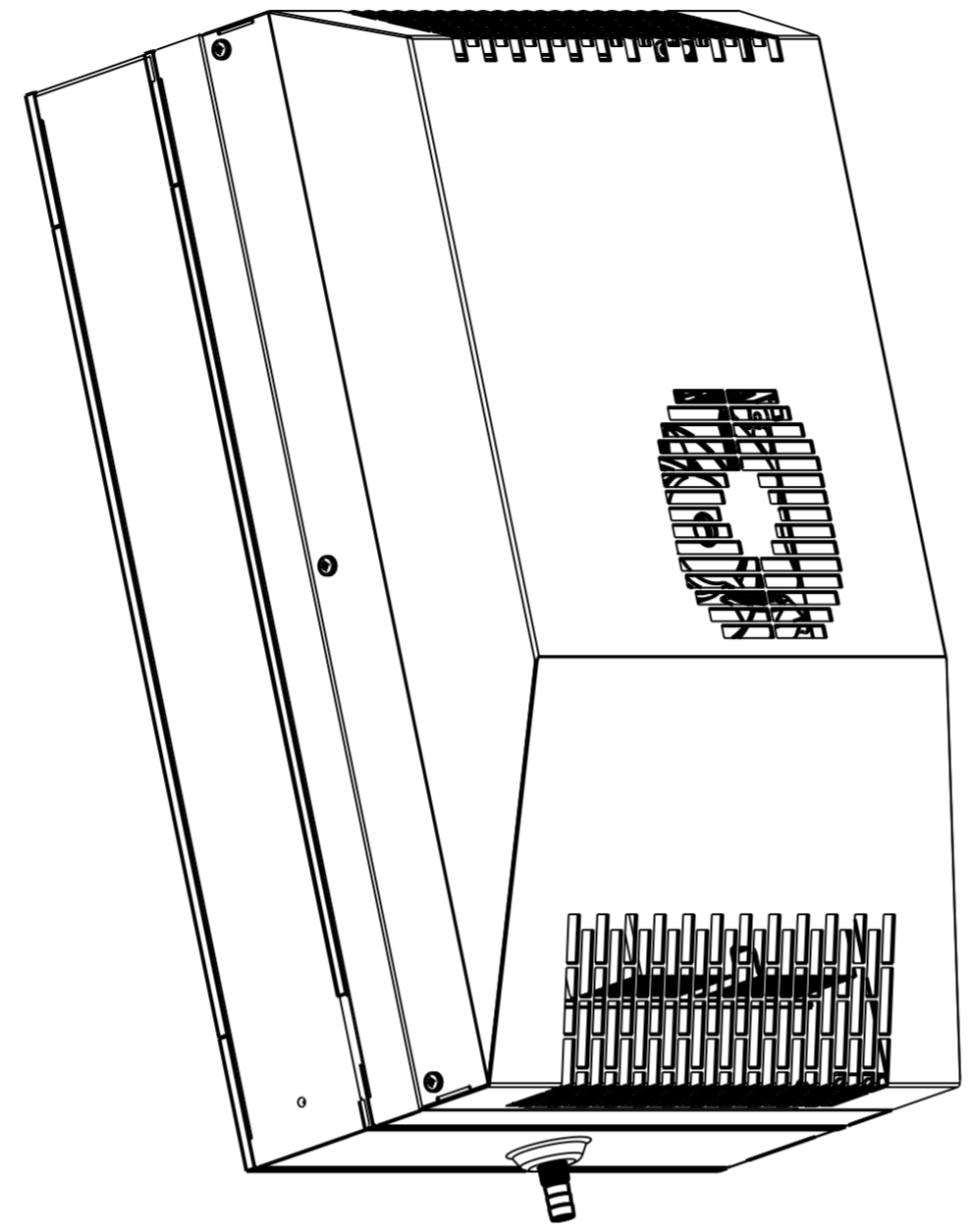
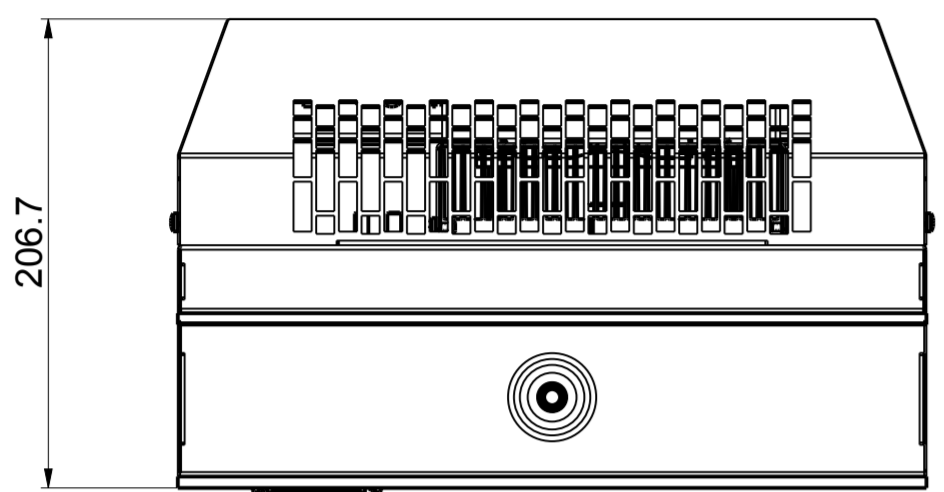
NOTES:
1. THIS IS A PRO/ENGINEER PARAMETRIC DRAWING. ANY CHANGES MUST BE WITHIN PRO/INTRALINK.
2. REMOVE ALL BURRS AND SHARP EDGES.

REV	BY	DATE	DESCRIPTION

Art.no.:	6205303/6155303		
Material:	-		
Complete Assembly TG-6205/6155			
Designed:	D.Cini	06.01.2017	FIRST ANGLE PROJECTION
Drawn:	D.Cini	09.01.2017	SHEET SCALE
Checked:	-	Approved: -	1 of 3 0.300
44013			ISSUE SIZE
0.1+			A2

44013	DRAWING	0.1+	Work In Progress
TG6205303-COMPLETE-ASSEMBLY	ASSEM	0.4	Work In Progress
PRO/E_FILENAME	FILE TYPE	REV	RELEASE

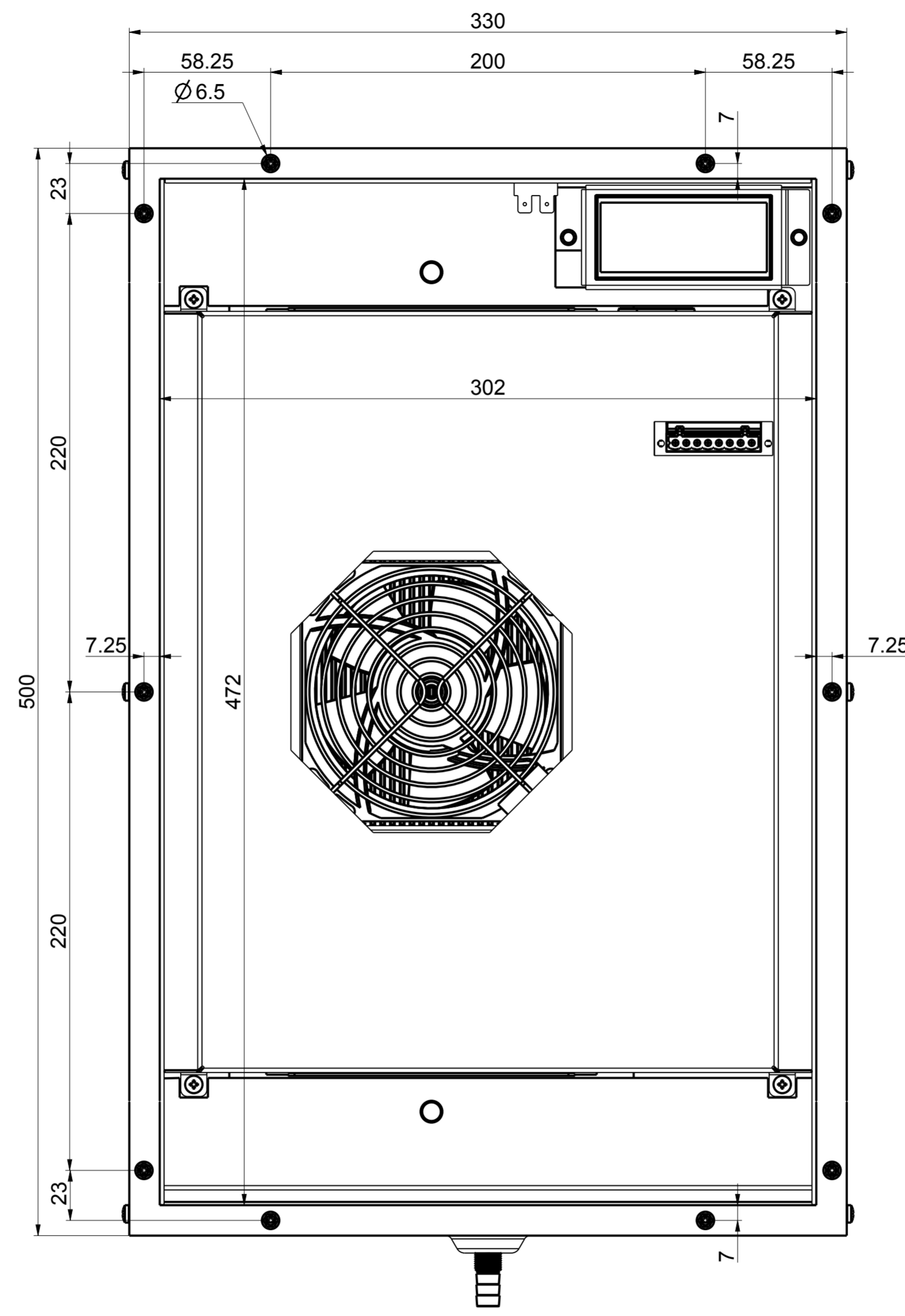




Art.no.:	6205305		
Material:	-		
Complete Assembly TG-6205305 TG-6205/6155			
SHEET	SCALE	SIZE	FIRST ANGLE PROJECTION
2 of 3	0.300	A2	
44013			

44013	DRAWING	0.1	Work In Progress
TG6205305-COMPLETE-ASSEMBLY	ASSEM	0.4	Work In Progress
PRO/E FILENAME	FILE TYPE	REV	RELEASE





Art.no.:		6205xxx	
Material:		-	
Mounting Template TG-6205/6155			
SHEET	SCALE	SIZE	FIRST ANGLE PROJECTION
3 of 3	0.500	A2	
44013			

44013	DRAWING	0.1	Work In Progress
TG6205-COMPLETE-ASSEMBLY	ASSEM	1.4	Work In Progress
PRO/E FILENAME	FILE TYPE	REV	RELEASE

