

Roof Fan



Description

Order Number:	6065A9000
Brand Name:	SOLIFLEX
Colour:	RAL 7035
Housing Material:	Mild steel, powder coated
IP protection class to EN 60 529:	IP 54, Type 1, 12
Approvals:	CE, cURus

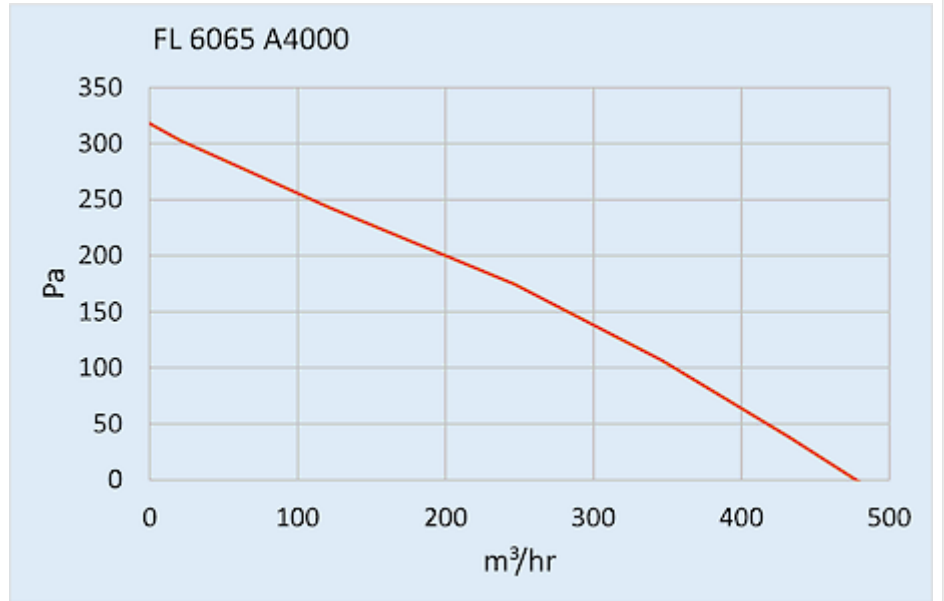
Technical Data

Air flow unimpeded IP 54:	490 m ³ /h
Operating Temperature Range:	-10°C - 55°C
Static pressure:	350 Pa
Mounting:	top mounted
Dimensions A x B x C (D+E):	147 x 457 x 457 mm
Weight:	6.4 kg
Cut out dimensions:	291 x 291 mm
Voltage / Frequency:	400/460 V - 50/60 Hz 3~
Rated current:	Max 0.12 A
Power consumption:	Max 80 W
Degree of separation IP 54:	85% - DIN 24185
Filter class (ISO 16890):	G3 (Aluminium optional)
Noise level:	70 dB(A)
Connection:	4 pole connector

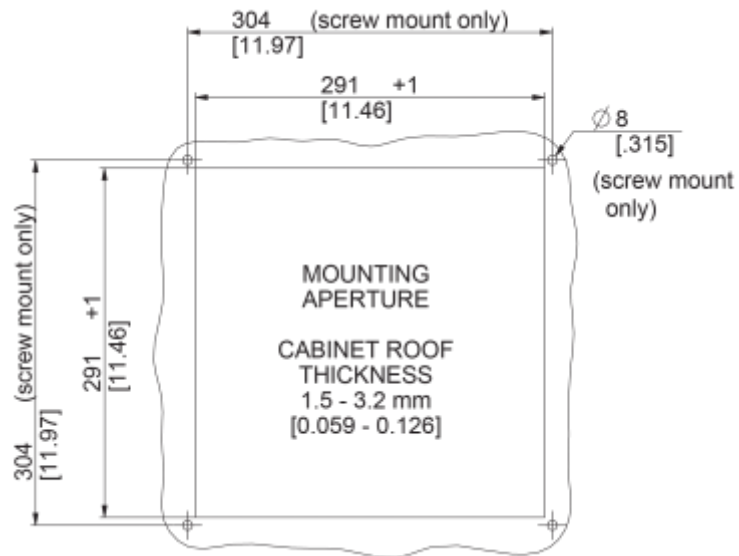
Please click on the graphics to download.

More CAD drawings can be found under [Product Download](#).

> [Overview Product Group SOLIFLEX - Filter fans & exhaust filters](#)

Performance graph:


[click image to enlarge](#)

Cut Out Dimension:


[click image to enlarge](#)

Order Information

Taric code

84145915
