

## Roof Fan



## Description

<b>Order Number:</b>	6085A9000
<b>Brand Name:</b>	SOLIFLEX
<b>Colour:</b>	RAL 7035
<b>Housing Material:</b>	Mild steel, powder coated
<b>Ingress Protection:</b>	IP 54, Type 1, 12
<b>Approvals:</b>	CE, cURus

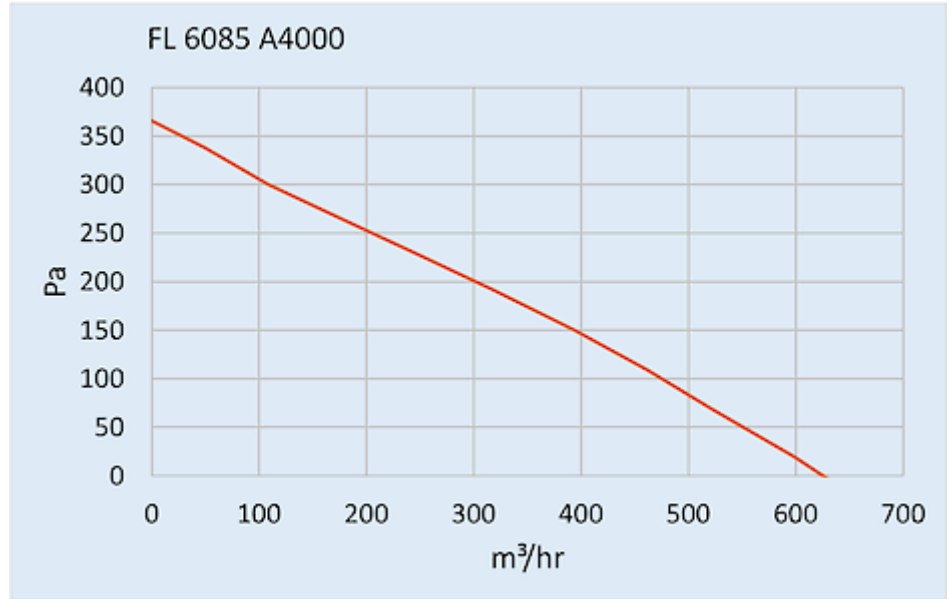
## Technical Data

<b>Operating Temperature Range:</b>	-10°C - 55°C
<b>Air flow unimpeded:</b>	630 m³/h
<b>Static pressure:</b>	570 Pa
<b>Mounting:</b>	top mounted
<b>Dimensions A x B x C (D+E):</b>	147 x 457 x 457 mm
<b>Weight:</b>	7.8 kg
<b>Cut out dimensions:</b>	291 x 291 mm
<b>Voltage / Frequency:</b>	400/460 V - 50/60 Hz 3~
<b>Rated current:</b>	Max 0.22 A
<b>Power consumption:</b>	Max 145 W
<b>Degree of separation:</b>	85% - DIN 24185
<b>Filter class:</b>	G3 (Aluminium optional)
<b>Noise level:</b>	70 dB(A)
<b>Connection:</b>	4 pole connector

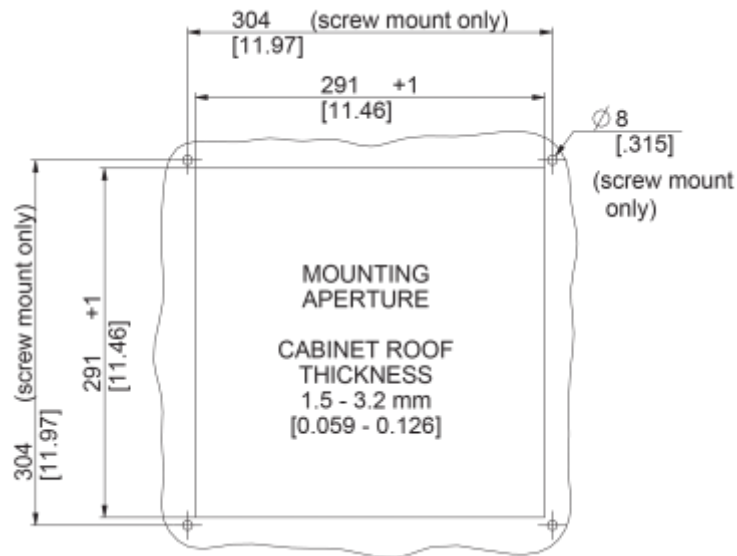
Please click on the graphics to download.

More CAD drawings can be found under [Product Download](#).

> [Overview Product Group SOLIFLEX - Filter fans & exhaust filters](#)

**Performance graph:**


click image to enlarge

**Cut Out Dimension:**


click image to enlarge

## Order Information

<b>Taric code</b>	84145915
<b>GTIN (EAN)</b>	5350604100893