

Filter Fan



Description

Order Number:	4621A3100
Brand Name:	SOLIFLEX
Colour:	RAL 7035
Housing Material:	ABS Plastic
Ingress Protection:	IP 54, Type 12, 3R
Note:	Reverse air flow
Optional:	Different housing colors available on request
Approvals:	CE, cURus, cULus, CSA

Accessories:



[Hose-proof protection hood FC 4000 300](#)



[Hose-proof protection hood FC 4000 300 FDA](#)



[Adjustable Thermostat NO](#)

Technical Data

Operating Temperature Range:	-10°C - 55°C
Air flow unimpeded:	120 m³/h
Static pressure:	70 Pa
Dimensions A x B x C (D+E):	250 x 250 x 111.8 mm
Weight:	1.2 kg
Cut out dimensions:	223 x 223 (+1.5) mm
Voltage / Frequency:	120 V ~ 60 Hz
Rated current:	0.21 A
Power consumption:	16 W
Degree of separation:	85% - DIN 24185
Wall thickness:	1.5 - 2.5 mm
Filter class:	G3 according to EN 779
Installation:	Elastic clips
Noise level:	49 dB(A)

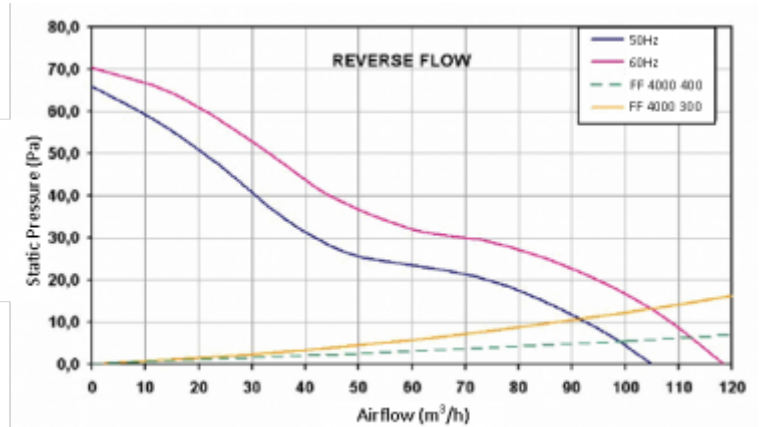
Please click on the graphics to download.

More CAD drawings can be found under [Product Download](#).

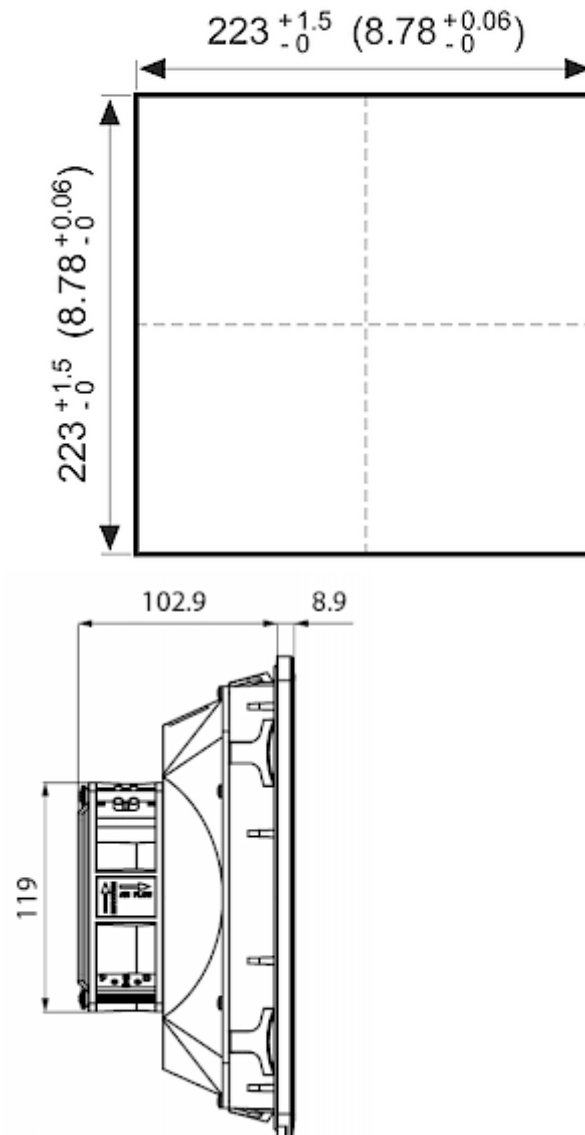
> [Overview Product Group SOLIFLEX - Filter fans & exhaust filters](#)

Air flow:

Q = Air flow [m³/h]
 P = Static pressure [Pa]



[click image to enlarge](#)

Cut Out Dimension:


[click image to enlarge](#)

Order Information

In RAL 9005	4621A3103
Taric code	84145915
GTIN (EAN)	5350604100596