

Roof mounted filter fan



Description

Order Number:	6064A3000
Brand Name:	SOLIFLEX
Colour:	RAL 7035
Housing Material:	Mild steel, powder coated
Ingress Protection:	IP 54, Type 1, 12
Optional:	Aluminium filter kit Temperature control thermostat Alarm thermostat
Approvals:	CE, cURus

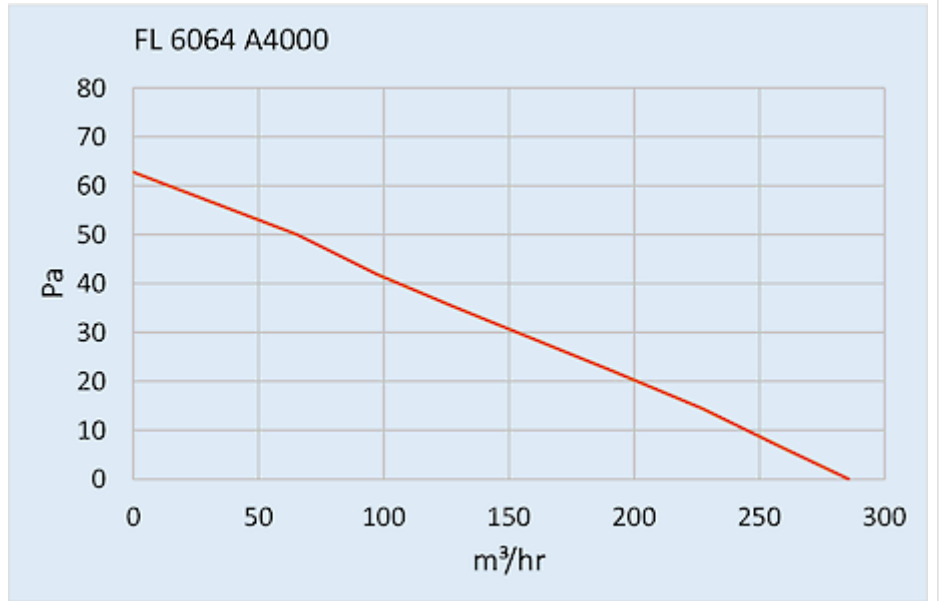
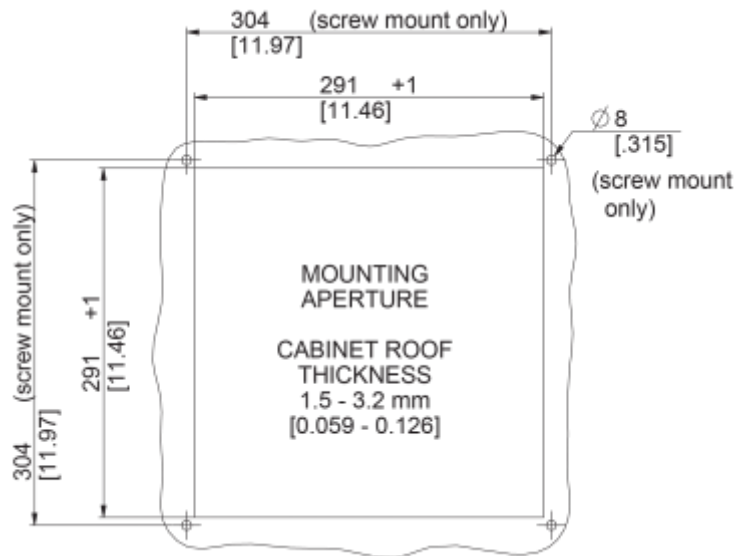
Technical Data

Operating Temperature Range:	-10°C - 55°C
Air flow volume (system / unimpeded):	285 m ³ /hr
Air flow unimpeded:	275 m ³ /h
Static pressure:	63 Pa
Mounting:	top mounted
Dimensions A x B x C (D+E):	147 x 457 x 457 mm
Weight:	7 kg
Cut out dimensions:	291 x 291 mm
Voltage / Frequency:	120 V ~ 60 Hz
Rated current:	0.5 A
Power consumption:	57 W
Degree of separation:	85% - DIN 24185
Filter class:	G3 (Aluminium optional)
Noise level:	51 dB(A)
Connection:	4 pole connector

Please click on the graphics to download.

More CAD drawings can be found under [Product Download](#).

> [Overview Product Group SOLIFLEX - Filter fans & exhaust filters](#)

Performance graph:

[click image to enlarge](#)
Cut Out Dimension:

[click image to enlarge](#)

Order Information

Taric code	84145915
GTIN (EAN)	5350604100893