

Mounting frame for dehumidifier TG 3039



Description

Order Number:	1019305
Brand Name:	SOLIFLEX
Colour:	Black
Housing Material:	PC UL94V-0
Note:	Mounting frame for thermoelectric dehumidifier 3039303
Approvals:	CE, cURus

Technical Data

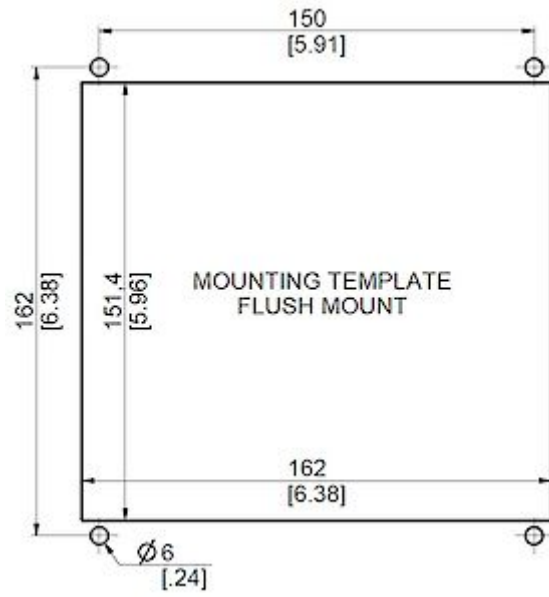
Condensation rate 30°C / 80%rH.:	25 ml/hr
Operating Temperature Range:	0°C - 65°C
Mounting:	Wall mounted
Voltage / Frequency:	24 V DC
Connection:	Connection terminal block

Please click on the graphics to download.

More CAD drawings can be found under [Product Download](#).

> [Overview Product Group SOLIFLEX - accessories for safety inside enclosures](#)

Cut Out Dimension:



[click image to enlarge](#)