


Thermoelectric dehumidifier with condensate pump



Description

Order Number:	3039309
Brand Name:	SOLIFLEX
Colour:	Black
Housing Material:	PC UL94V-0
Note:	With integrated condensate pump Use a class 2 power unit (UL)
Approvals:	CE, cURus
Accessories:	 Condensate drain socket

Technical Data

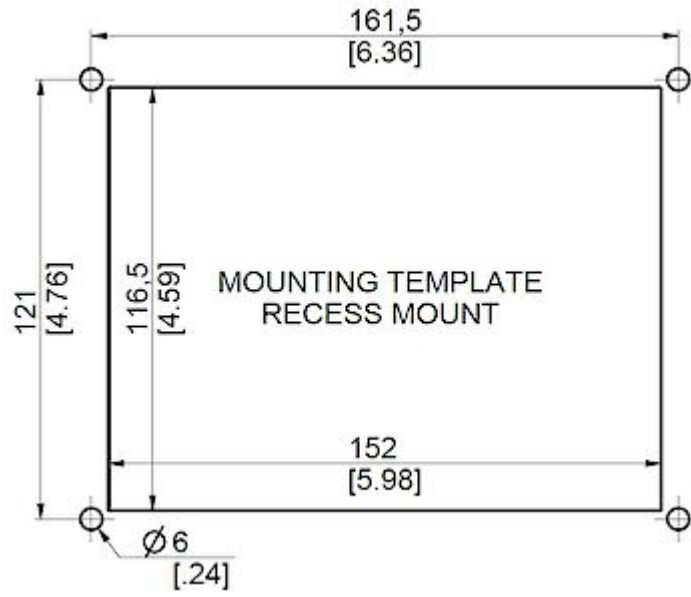
Condensation rate 30°C / 80%rH.:	25 ml/hr
Operating Temperature Range:	0°C - 65°C
Mounting:	Recessed
Dimensions A x B x C (D+E):	176 x 136 x 148 mm
Weight:	2 kg
Cut out dimensions:	152 x 117.5 mm
Voltage / Frequency:	24 V DC
Rated current:	2.1 A
Starting current:	3.1 A
Max. current:	2.4 A
Power consumption:	50 W
Max. power:	58 W
Fuse:	4 A (T)
Connection:	Connection terminal block

Please click on the graphics to download.

More CAD drawings can be found under [Product Download](#).

> [Overview Product Group SOLIFLEX - accessories for safety inside enclosures](#)

Cut Out Dimension:



[click image to enlarge](#)