

Thermostat NC



Description

Order Number:	301110
Brand Name:	SOLIFLEX
Colour:	Grey (RAL 7011)
Housing Material:	PC plastic
Ingress Protection:	IP 20
Note:	Hyst. $7\pm 3K$ / Sw.Pt.tol $\pm 4K$
Approvals:	CE, cURus
UL File Number:	E358385

Technical Data

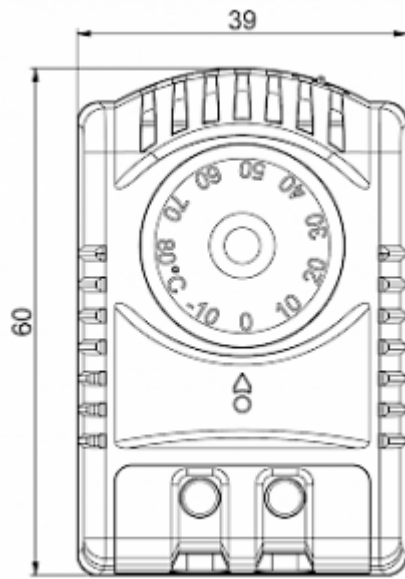
Operating Temperature Range:	-40°C - 80°C
Setting range:	-10°C - 80°C
Mounting:	DIN Rail 35 mm
Dimensions A x B x C (D+E):	60 x 39 x 42.4 mm
Weight:	~ 65 g
Voltage / Frequency:	max. 250 V AC 16 A(res) / 2 A(ind) max. 72 V DC max. 30 W
Lifetime:	100,000 hrs.
Connection:	2-pole terminal, clamping torque 0.5 Nm max. solid wire - 2.5 mm ² max., stranded wire - 1.5 mm ² max.

Please click on the graphics to download.

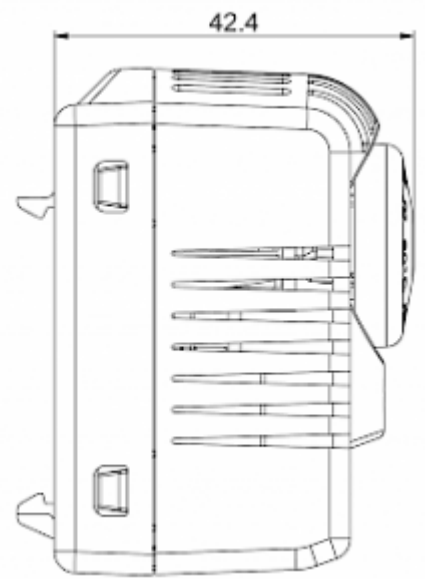
More CAD drawings can be found under [Product Download](#).

> [Overview Product Group SOLIFLEX - accessories for safety inside enclosures](#)

Cut Out Dimension:



click image to enlarge



Order Information

Taric code	90321089
GTIN (EAN)	5350604010123