

## Twin thermostat NCNC



## Description

<b>Order Number:</b>	301210
<b>Brand Name:</b>	SOLIFLEX
<b>Colour:</b>	Grey (RAL 7011)
<b>Housing Material:</b>	PC plastic
<b>Ingress Protection:</b>	IP 20
<b>Note:</b>	Hyst. $7\pm 3K$ / Sw.Pt.tol $\pm 4K$
<b>Approvals:</b>	CE, cURus
<b>UL File Number:</b>	E358385

## Technical Data

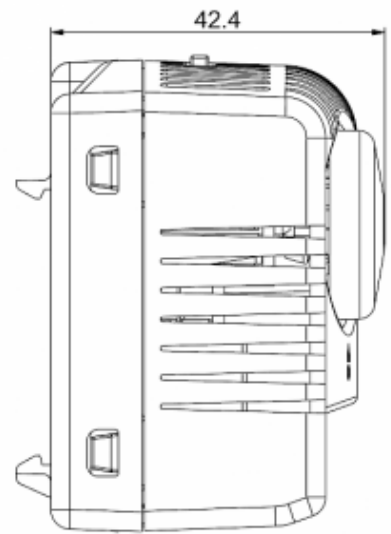
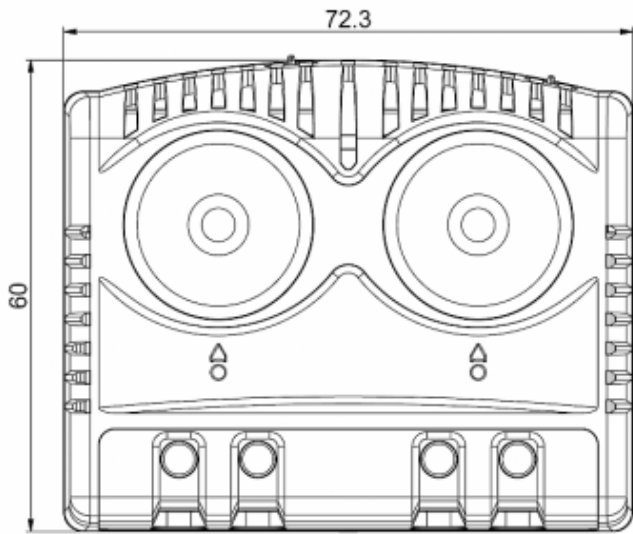
<b>Operating Temperature Range:</b>	-40°C - +80°C
<b>Setting range:</b>	-10°C - 80°C
<b>Mounting:</b>	DIN Rail 35 mm
<b>Dimensions A x B x C (D+E):</b>	60 x 72.3 x 42.4 mm
<b>Weight:</b>	~110 g
<b>Voltage / Frequency:</b>	max. 250 V AC 16 A(res) / 2 A(ind) max. 72 V DC max. 30 W
<b>Lifetime:</b>	100,000 hrs.
<b>Connection:</b>	2-pole terminal (x2), clamping torque 0.5 Nm max. solid wire - 2.5 mm <sup>2</sup> max., stranded wire - 1.5 mm <sup>2</sup> max.

Please click on the graphics to download.

More CAD drawings can be found under [Product Download](#).

> [Overview Product Group SOLIFLEX - accessories for safety inside enclosures](#)

**Cut Out  
Dimension:**



[click image to enlarge](#)

## Order Information

<b>Taric code</b>	90321089
<b>GTIN (EAN)</b>	5350604010222