

## Twin thermostat NCNC



## Description

|                            |                            |
|----------------------------|----------------------------|
| <b>Order Number:</b>       | 301211                     |
| <b>Brand Name:</b>         | SOLIFLEX                   |
| <b>Colour:</b>             | Grey (RAL 7011)            |
| <b>Housing Material:</b>   | PC plastic                 |
| <b>Ingress Protection:</b> | IP 20                      |
| <b>Note:</b>               | Hyst. 7±3K / Sw.Pt.tol ±4K |
| <b>Approvals:</b>          | CE, cURus                  |
| <b>UL File Number:</b>     | E358385                    |

## Technical Data

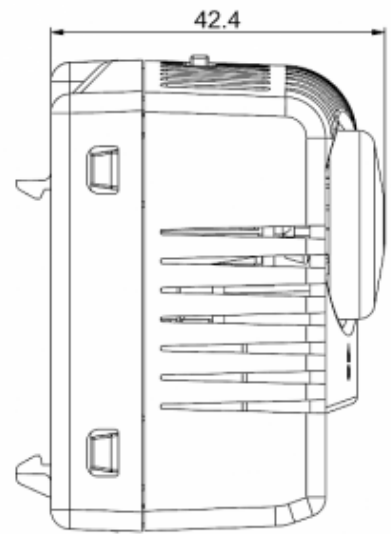
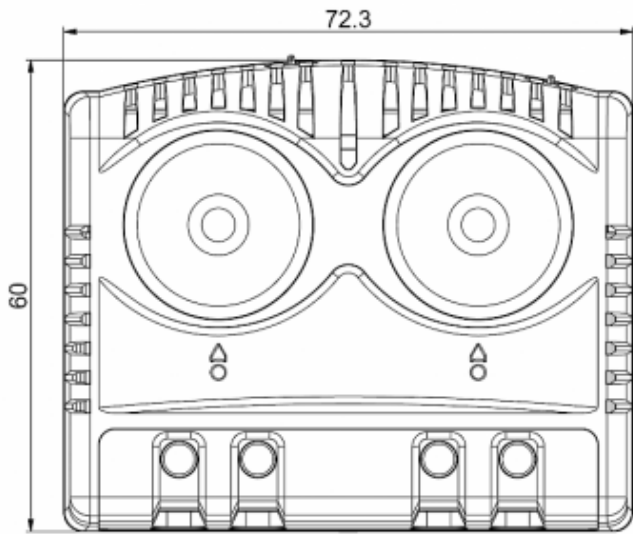
|                                     |  |
|-------------------------------------|--|
| <b>Operating Temperature Range:</b> | -40°F - 176°F  |
| <b>Setting range:</b>               | 14°F - 176°F   |
| <b>Mounting:</b>                    | DIN Rail 35 mm   |
| <b>Dimensions A x B x C (D+E):</b>  | 60 x 72.3 x 42.4 mm  |
| <b>Weight:</b>                      | ~110 g   |
| <b>Voltage / Frequency:</b>         | max. 250 V AC 16 A(res) / 2 A(ind)<br>max. 72 V DC max. 30 W   |
| <b>Lifetime:</b>                    | 100,000 hrs.   |
| <b>Connection:</b>                  | 2-pole terminal (x2), clamping torque 0.5 Nm max.<br>solid wire - 2.5 mm <sup>2</sup> max., stranded wire - 1.5 mm <sup>2</sup> max. |

Please click on the graphics to download.

More CAD drawings can be found under [Product Download](#).

> [Overview Product Group SOLIFLEX - accessories for safety inside enclosures](#)

**Cut Out  
Dimension:**



[click image to enlarge](#)

## Order Information

|                   |               |
|-------------------|---------------|
| <b>Taric code</b> | 90321089      |
| <b>GTIN (EAN)</b> | 5350604010253 |