


LED enclosure light



Description

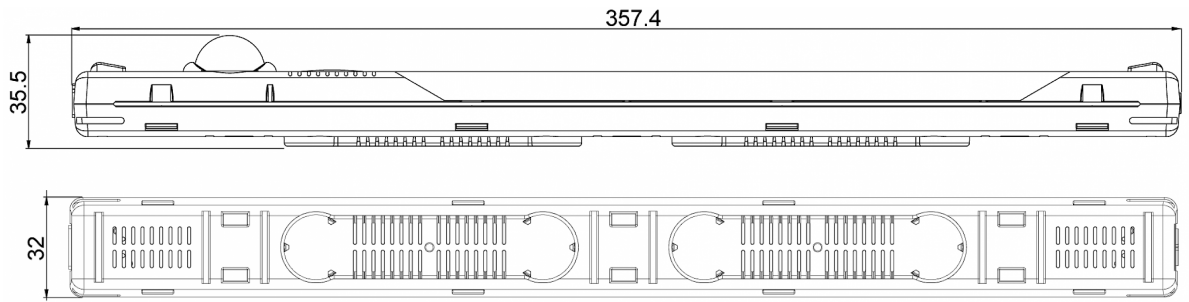
Order Number:	400400
Brand Name:	stripLite
Colour:	Top cover transparent / body blue
Housing Material:	PC plastic
Ingress Protection:	IP 20
Included:	Built-in motion sensor, switch off time 5 min. mounting accessories
Note:	class II Energy class G
Approvals:	CE, cURus
Accessories:	 DIN rail clip

Technical Data

Operating Temperature Range:	-30°C - 70°C UL max temp: 60°C
Mounting:	Magnets / Clips
Dimensions A x B x C (D+E):	357.4 x 32 x 35.5 mm
Weight:	140 gr.
Voltage / Frequency:	24-265 V DC/AC ~ 0/50/60 Hz
Power consumption:	4 Watt
Lamp:	LED, 7400K
Luminosity:	400 Lm
Lifetime:	50.000 hrs. @ 20°C
Connection:	srew less push in connector

Please click on the graphics to download.
More CAD drawings can be found under [Product Download](#).
> [Overview Product Group STRIPLITE - LED Enclosure Lights](#)

**Cut Out
Dimension:**



[click image to enlarge](#)

Order Information

Taric code

94054231
