

## Electronic thermostat



## Description

<b>Order Number:</b>	301511
<b>Colour:</b>	Grey (RAL 7011)
<b>Housing Material:</b>	PC plastic
<b>Ingress Protection:</b>	IP 20
<b>Note:</b>	Hyst. 3K / Sw. Pt. tol 3K
<b>Approvals:</b>	CE, cURus
<b>UL File Number:</b>	E358385

## Technical Data

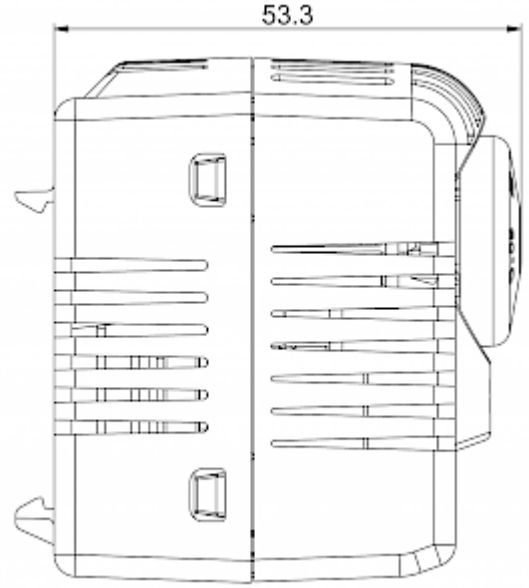
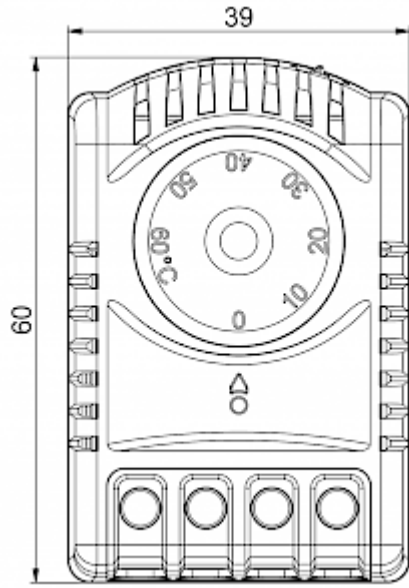
<b>Operating Temperature Range:</b>	-13 - 158°F / 95% int. sensor -13 - 176°F / 95% ext. sensor
<b>Setting range:</b>	32°F - 140°F
<b>Mounting:</b>	DIN Rail 35 mm
<b>Dimensions A x B x C (D+E):</b>	60 x 39 x 53.3 mm
<b>Voltage / Frequency:</b>	24 V DC / 16 A
<b>Lifetime:</b>	100,000 hrs.

Please click on the graphics to download.

More CAD drawings can be found under [Product Download](#).

> [Overview Product Group SOLIFLEX - accessories for safety inside enclosures](#)

**Cut Out  
Dimension:**



[click image to enlarge](#)

## Order Information

<b>Taric code</b>	90321089
<b>GTIN (EAN)</b>	5350604010512