

## Table of Content 87201584

|                                                       |    |
|-------------------------------------------------------|----|
| <b>1. User manual</b>                                 | 2  |
| <b>2. Legal regulations</b>                           | 3  |
| <b>3. Safety instructions</b>                         | 4  |
| <b>4. Application</b>                                 | 5  |
| <b>5. Functional principle</b>                        | 6  |
| <b>6. Technical data</b>                              | 7  |
| <b>7. Performance graph</b>                           | 8  |
| <b>8. Condensate management</b>                       | 9  |
| <b>9. Mounting Principle</b>                          | 10 |
| <b>10. Cut Out Dimension</b>                          | 11 |
| <b>11. Dimension (H x W x D)</b>                      | 12 |
| <b>12. Electrical Connection</b>                      | 13 |
| <b>13. Controller</b>                                 | 15 |
| <b>14. Wiring Diagram</b>                             | 22 |
| <b>15. Taking into Operation</b>                      | 24 |
| <b>16. Trouble Shooting</b>                           | 24 |
| <b>17. Maintenance &amp; Cleaning</b>                 | 25 |
| <b>18. Transport &amp; Storage</b>                    | 25 |
| <b>19. Parts supplied / Spare parts / Accessories</b> | 26 |



# 1. User manual

This instruction manual contains information and instructions to enable the user to work safely, correctly and economically on the unit. Understanding and adhering to the manual can help one:

- Avoid any dangers.
- Reduce repair costs and stoppages.
- Extend and improve the reliability and working life of the unit.

**PLEASE ENSURE TO USE THE RIGHT VERSION OF THE INSTRUCTION MANUAL SUITABLE FOR YOUR UNIT.**

## Intended use

The unit is to be used exclusively for the dissipation of heat from control cabinets and enclosures (stationary, not moving) in order to protect temperature sensitive components in an industrial environment. To meet the conditions of use, all the information and instructions in the instruction manual must be adhered to.



### General danger

Indicates compulsory safety regulations which are not covered by a specific pictogram such as one of the following.



### High electric voltage

Indicates electric shock danger.



### Important safety instruction

Indicates instructions for safe maintenance and operation of the unit.



### Attention

Indicates possible burns from hot components.



### Attention

Indicates possible damage to the unit.



### Instruction

Indicates possible danger to the environment.

## 2. Legal regulations

### Liability

The information, data and instructions contained in this instruction manual are current at the time of going to press. We reserve the right to make technical changes to the unit in the course of its development. Therefore, no claims can be accepted for previously delivered units based on the information, diagrams or descriptions contained in this manual. No liability can be accepted for damage and production caused by:

- Disregarding the instruction manual
- Operating error
- Inappropriate work on or with the unit
- The use of non-specified spare parts and accessories
- Unauthorised modifications or changes to the unit by the user or his personnel

The supplier is only liable for errors and omissions as outlined in the guarantee conditions contained in the main contractual agreement. Claims for damages on any grounds are excluded.

### 3. Safety instructions

Upon delivery the unit is already meeting current technical standards and can therefore be safely taken into operation. Only authorised personnel is allowed to work on the unit. Unauthorised personnel must be prohibited from working on the unit. Operating personnel must inform their superiors immediately of any malfunction of the unit.

Please note that before starting to work on or with the unit, a procedure must be carried out inside the cabinet on which the unit is to be mounted.

Before commencing work inside the cabinet, the control cabinet manufacturer's instruction must be read with regards to:

- Safety instructions.
- Instructions on taking the cabinet out of operation.
- Instructions on the prevention of unauthorised cabinet reconnection.

The electric equipment meets the valid safety regulations. One can find dangerous voltages (above 50 V AC or above 100 V DC)

- Behind the control cabinet doors.
- On the power supply in the unit housing.

The unit has to be operated according to the type plate and the wiring diagram, and must be protected externally from overloading and electrical faults via suitable protective devices.



#### **Danger through incorrect work on the unit**

The unit can only be installed and maintained by technical competent and qualified personnel, using only supplied material according to the supplied instructions.



#### **Danger from electrical voltage**

Only specialised personnel are allowed to maintain and clean the unit. The personnel must ensure that for the duration of the maintenance and cleaning, the unit is disconnected from the electrical supply.



#### **Attention**

Damage to the unit through the use of inappropriate cleaning materials. Please do not use aggressive cleaning material.



#### **Instruction**

Damage to the environment through unauthorised disposal. All spare parts and associated material must be disposed according to the environmental laws.

## 4. Application

The cooling unit is intended to be used as a complementary accessory to larger industrial equipment. The unit is used where heat needs to be dissipated from electrical control cabinets or similar enclosures in order to protect heat sensitive components. *It is not intended for household use.*

The unit has two completely separate air circuits which ensure that the clean cabinet air does not come into contact with the ambient air which may well be dirty or polluted.

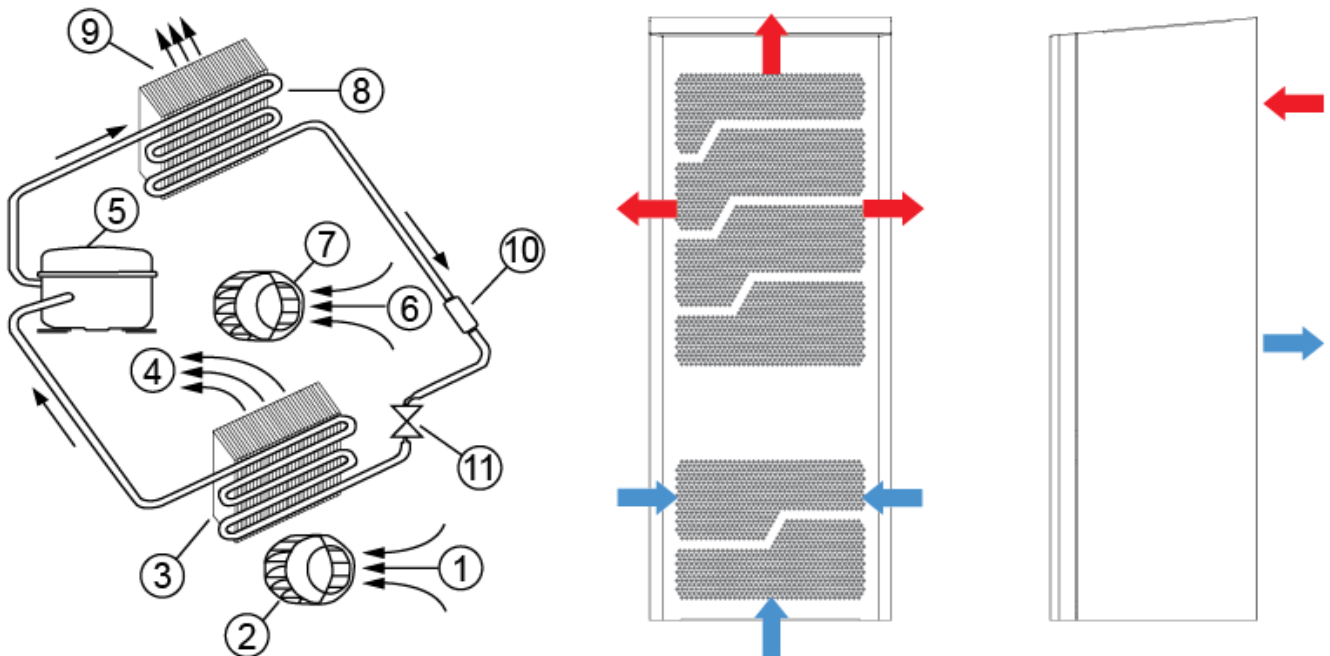
Enclosure cooling units can dissipate large quantities of heat from sealed enclosures such as electrical enclosures into the ambient air and at the same time reduce the cabinet internal temperature to below that of the ambient air. The unit can function without problems in extreme ambient conditions (e.g. dusty and oily air). For the cooling capacities, operating temperatures and environmental ratings please refer to the type plate data.

## 5. Functional principle

The cooling unit for enclosures works on the basis of a refrigeration circuit consisting of four main components: compressor, evaporator, condenser and expansion device.

The circuit is hermetically sealed and R134a refrigerant circulates inside it (R134a is chlorine free and has an Ozone Destruction Potential [ODP] of 0 and a Global Warming Potential [GWP] of 1430). The compressor compresses the refrigerant (thus taking it to high pressure and high temperature), and pushes it through the condenser, where it is cooled by ambient air thus passing from the gas to the liquid state. At the liquid state it then passes through the capillary pipe being a much lower pressure the refrigerant arrives to the evaporator where it absorbs the necessary heat to change from liquid to gas state. The gas is then drawn back into the compressor completing the cycle.

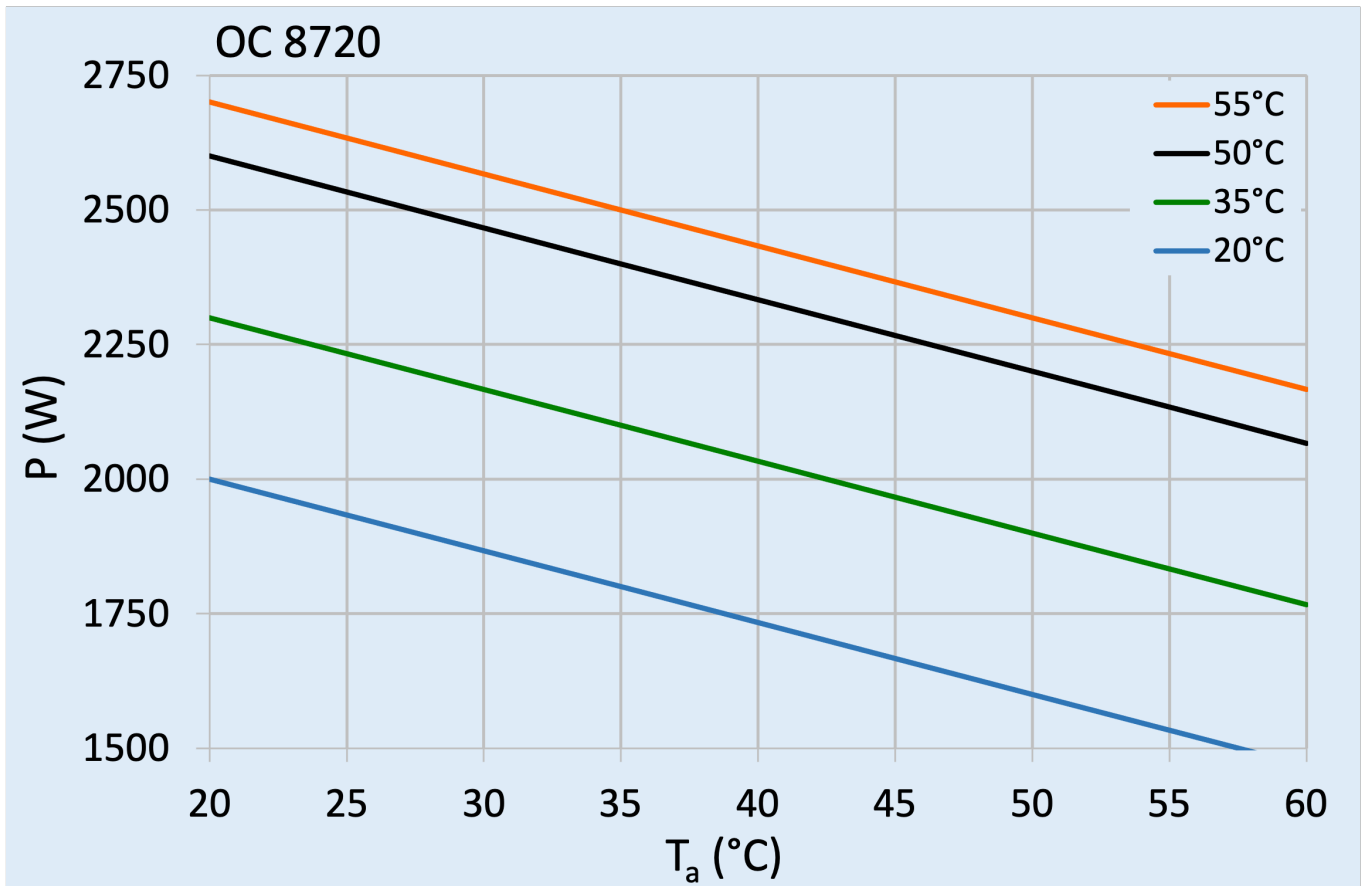
- |                           |                           |
|---------------------------|---------------------------|
| 1 Air intake cabinet side | 6 Air intake ambient side |
| 2 Radial fan cabinet side | 7 Air intake ambient side |
| 3 Evaporator              | 8 Condenser               |
| 4 Air outlet cabinet side | 9 Air outlet ambient side |
| 5 Compressor              | 10 Filter dryer           |
|                           | 11 Expansion device       |



## 6. Technical data

|                                             |                                                                                                                 |
|---------------------------------------------|-----------------------------------------------------------------------------------------------------------------|
| <b>Order Number</b>                         | 87201584                                                                                                        |
| <b>Cooling capacity L35L35</b>              | 2.0 kW @ 50 Hz<br>2.1 kW @ 60 Hz                                                                                |
| <b>Cooling capacity L35L50</b>              | 1.85 kW @ 50 Hz<br>1.90 kW @ 60 Hz                                                                              |
| <b>EER L35L35</b>                           | 1.8                                                                                                             |
| <b>Enclosure heater</b>                     | 1,000 W                                                                                                         |
| <b>Compressor type</b>                      | Reciprocating compressor                                                                                        |
| <b>Refrigerant / GWP</b>                    | R134a / 1430                                                                                                    |
| <b>Refrigerant charge</b>                   | 340 g / 12 oz                                                                                                   |
| <b>High / low Pressure</b>                  | 30 / 6 bar<br>435 / 88 psi                                                                                      |
| <b>Operating Temperature Range</b>          | -40°C - 60°C                                                                                                    |
| <b>UL temperature range</b>                 | -40°C - 60°C                                                                                                    |
| <b>Air flow volume (system / unimpeded)</b> | Ambient air circuit: 740 / 1150 m <sup>3</sup> /h<br>Enclosure air circuit: 595 / 875 m <sup>3</sup> /h         |
| <b>Mounting</b>                             | Wall mounted                                                                                                    |
| <b>Housing Material</b>                     | Stainless steel AISI 316 (V4A)                                                                                  |
| <b>Dimensions A x B x C (D+E)</b>           | 890 x 395 x 305 mm                                                                                              |
| <b>Weight</b>                               | 52.5 kg                                                                                                         |
| <b>Voltage / Frequency</b>                  | 120 V ~ 50/60 Hz                                                                                                |
| <b>UL Voltage / Frequency</b>               | 120 V ~ 60 Hz                                                                                                   |
| <b>Current L35L35</b>                       | 8.8 A @ 50 Hz<br>11.3 A @ 60 Hz                                                                                 |
| <b>Starting current</b>                     | 32 A                                                                                                            |
| <b>Max. current</b>                         | 14.5 A                                                                                                          |
| <b>Nominal power L35L35</b>                 | 1 kW @ 50 Hz<br>1.2 kW @ 60 Hz                                                                                  |
| <b>Max. power</b>                           | 1.65 kW                                                                                                         |
| <b>Fuse</b>                                 | 20 A (T)                                                                                                        |
| <b>Max circuit ampacity</b>                 | 15 A                                                                                                            |
| <b>Short-circuit current rating</b>         | 5 kA                                                                                                            |
| <b>Rated current compressor</b>             | 8 A                                                                                                             |
| <b>Full load current fans</b>               | 1.5 A                                                                                                           |
| <b>Connection</b>                           | 5 pole terminal block for signals<br>4 pole terminal block for power<br>3 pole terminal block for RS 485 MODBUS |
| <b>Ingress Protection</b>                   | IP 56 / Type 12, 3, 3R, 4, 4X                                                                                   |
| <b>Approvals</b>                            | CE, UL(ACVS), cULus                                                                                             |

## 7. Performance graph





## 8. Condensate management

High humidity and low temperatures inside the enclosure can lead to condensation on the evaporator. Condensate that flows back into the enclosure can damage sensitive control electronics. The integrated condensate evaporation of the cooling unit releases the condensate to the environment. If condensate formation is too great, additional condensate can drip into an overflow trough, which then drains off on the ambient side. In order to prevent the formation of excessive condensate, you should nevertheless:

- check the seals at regular intervals
- consider installing a door contact switch (order no. 3100001). This can prevent condensation forming when enclosure door is left open.

## 9. Mounting Principle



### NOTES:

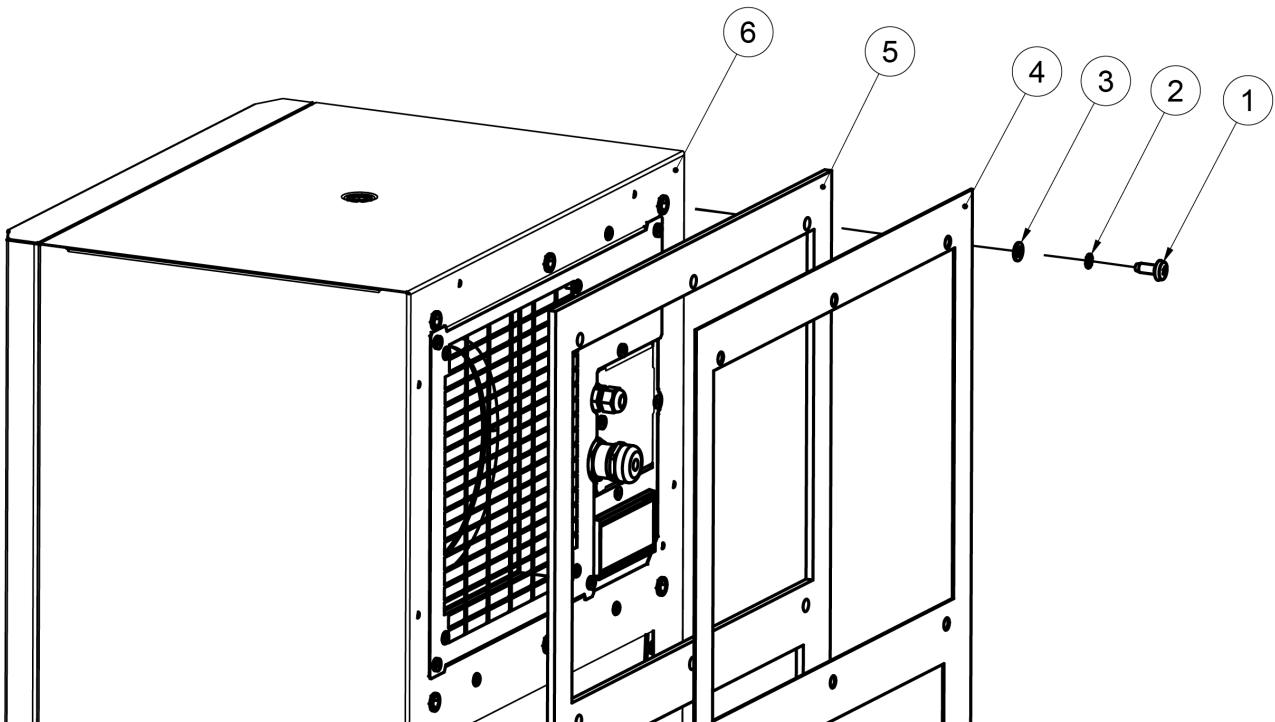
Do not use within the first 15 minutes after installation!

Use only the supplied mounting hardware.

Tighten Screws to 4.5 Nm.

Ensure the mounting surface does not warp after assembly and reinforce it if necessary.

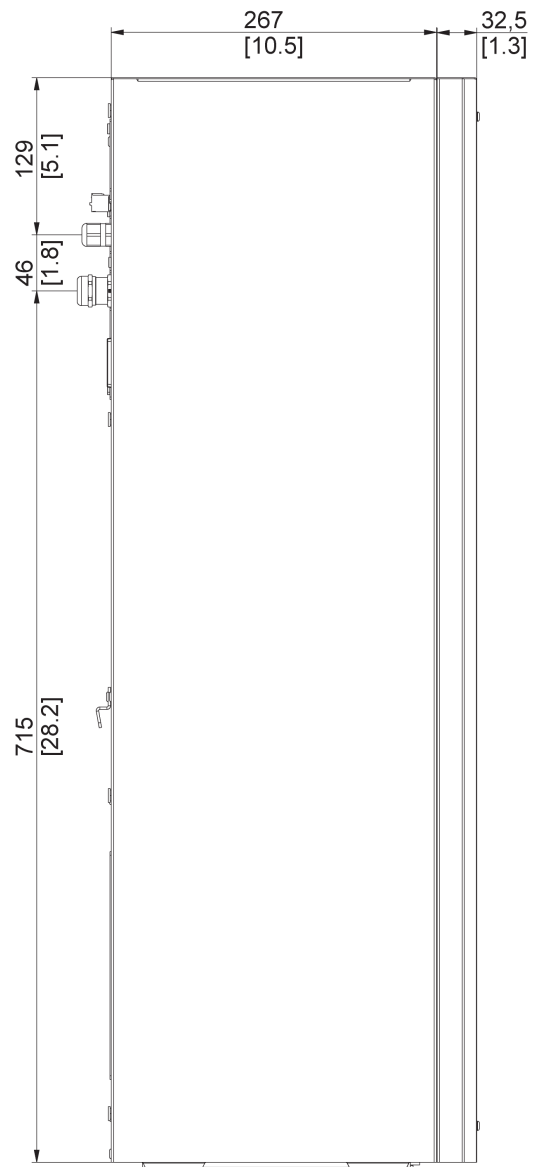
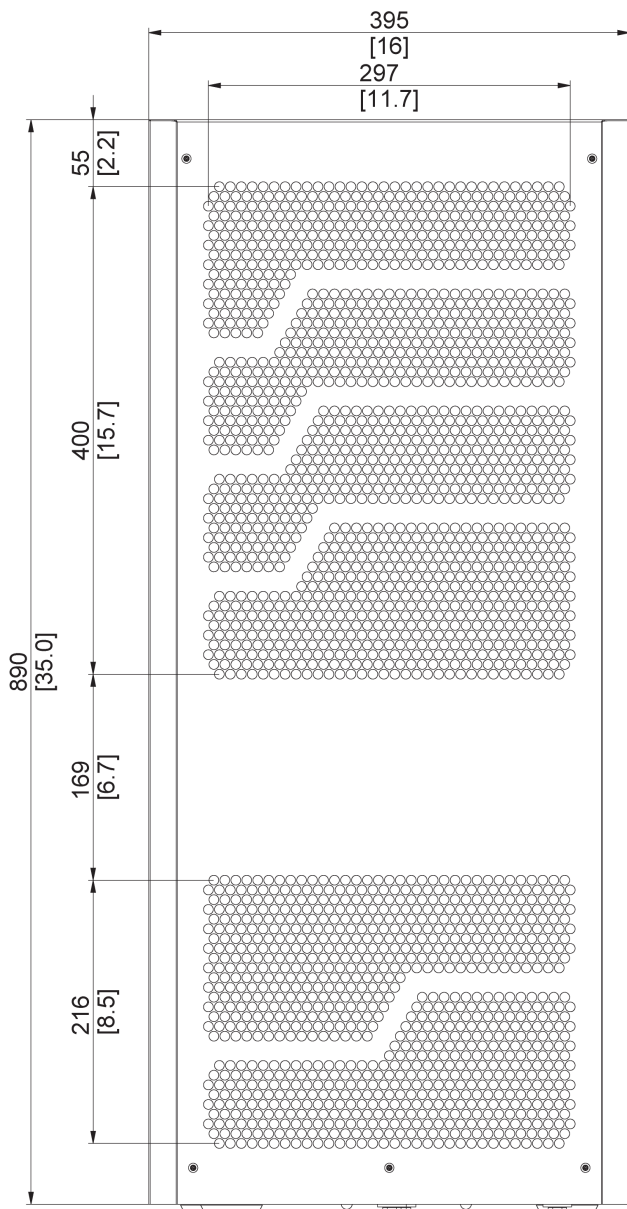
- 1 M6 bolts
- 2 M6 toothed washers
- 3 M6 Flat washers
- 4 Enclosure
- 5 Mounting gasket
- 6 Cooling unit



## 10. Cut Out Dimension



## 11. Dimension (H x W x D)



## 12. Electrical Connection



Caution, risk of death

Unconnected and / or faulty protective conductor systems can lead to dangerous voltages and electric shocks which can cause serious accidents.

Work on electrical connections may only be carried out by trained electrical engineers.

### Door Switch

The unit can be switched ON and OFF via a door contact switch. When delivered the door contact terminals are bridged on the female connector. To connect the door contact switch remove the bridge and connect door contact switch. The contact must be closed when the cabinet door is closed.

### Alarm Contacts

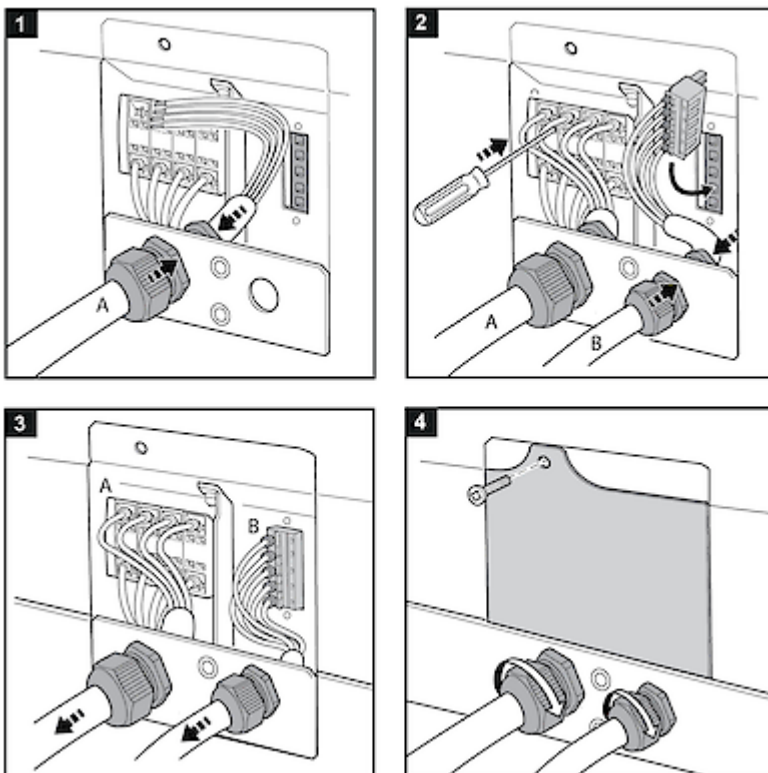
The alarm contacts have the following ratings:

30 VDC, 2 A resistive, 6k cycles, 125 VAC, 0.5 A resistive, 6k cycles

These contacts are not suitable for fluorescent loads (neon lights, etc.) that use starters (ballasts) with phase shifting capacitors. Fluorescent lamps with electronic controllers or without phase shifting capacitors can be used, depending on the operating limits specified for each type of relay.

### Connect unit:

Connect the cooling device according to the instructions below. The cable cross-section must correspond to the required power for the current consumption, but max. 2.5 mm<sup>2</sup> / AWG 14 using the larger cable gland M20 \* 1.5 from the packing bag. The illustration below is a generic representation and actual design might be different.



### SCCR

Refer to UL508A Supplement SB and Seifert Systems' document [Short Circuit Current Rating \(SCCR\)](#) on methods

*how to modify the available short circuit current within a circuit in the panel.*

## 13. Controller

When started, the display shows the internal temperature of the cooling unit and serves as the home menu for control.



| Buttons       | LED Functions                                                         |
|---------------|-----------------------------------------------------------------------|
| □ <b>Menu</b> | Blue LED: Steady On - Cooling mode                                    |
| ○ <b>Set</b>  | Blue LED: Blinking - min. compressor off time not elapsed             |
| △ <b>Up</b>   | Red LED: Steady On - Heating mode (opt.)<br>Red LED: Blinking - Alarm |
| ▽ <b>Down</b> | Rightmost digit - Master / Slave indicator                            |

### i) Operations from Home Screen:

- Pressing △ or ▽ for 1 second will go to Menu 1. This will show the status of DI1, DI2, S1, S2, Onboard Sensor and total Alarms. Pressing △ or ▽ will toggle between sensors/digital inputs and alarms.
- Pressing □ will go to Menu 2.
- Any Alarms will appear on the Home Screen.
- If the Door Contact is Open, the Home Screen will show an OFF status.
- Pressing △ and ▽ simultaneously for 3 seconds will start Test Mode

### ii) Operations from inside the Menus:

- Pressing □ from any menu will return to the Home Screen.
- Pressing ○ while in Menus 2/3 shows the parameter value.
- Pressing ○ for 3 seconds while showing a parameter, will save the parameter.
- Pressing □ while showing a parameter, will return to the respective menu.

### iii) Menu Access using passwords:

- As standard, the user can only access Menus 1 and 2.
- When using the client password, the user is allowed access to Menu 3.
- This password can be set at any value between 0 and 9998.

All parameters are sorted in 3 separate menus.

### Menu 1

| Parameter  | Description                                                                                          | Range                            |
|------------|------------------------------------------------------------------------------------------------------|----------------------------------|
| Sbrd       | Onboard sensor Reading                                                                               | -                                |
| S1         | S1 Sensor Reading                                                                                    | -                                |
| S2         | S2 Sensor Reading                                                                                    | -                                |
| d1         | Digital Input 1 reading                                                                              | 0: Open<br>1: Closed             |
| d2         | Digital Input 2 reading                                                                              | 0: Open<br>1: Closed             |
| AL1 - AL10 | Alarms Counters for Alarm 1 to Alarm 10, (alarm description is described in table Alarm Codes below) | Alarm counts up to 250 per alarm |

### Menu 2

| Parameter | Description          | Input                                                                                                                              | Setting range                                                     |
|-----------|----------------------|------------------------------------------------------------------------------------------------------------------------------------|-------------------------------------------------------------------|
| Ct_S      | Control Setpoint     | △ or ▽ to Increase/Decrease Temperature                                                                                            | Min: ccS1<br>Max: ccS2                                            |
| HA_S      | High Alarm Setpoint  | △ or ▽ to Increase/Decrease Temperature                                                                                            | Min: HAS1<br>Max: HAS2                                            |
| LA_S      | Low Alarm Setpoint   | △ or ▽ to Increase/Decrease Temperature                                                                                            | Min: LAS1<br>Max: LAS2                                            |
| Ht_S      | Heater Setpoint      | △ or ▽ to Increase/Decrease Temperature                                                                                            | Min: HS1<br>Max: HS2                                              |
| C_F       | Celsius / Fahrenheit | △ or ▽ to change between °C and °F                                                                                                 | C: Celsius<br>F: Fahrenheit                                       |
| IP_1      | Input 1 Invert       | △ or ▽ to changes between NC/NO door contact                                                                                       | 0: NC<br>1: NO                                                    |
| StAt      | System State         | Read Only                                                                                                                          | OFF: Off<br>dL: Idle<br>CL: Cooling<br>Ht: Heating<br>tSt: Test   |
| OUTP      | Relay Outputs        | Read Only                                                                                                                          | H: Heater Relay<br>A: Ambient Blower relay<br>C: Compressor Relay |
| PASS      | Password             | △ to increase number and ▽ to change digit<br>An incorrect Password will reset the input to 0<br>The correct password opens MENU 3 | Any number between 0 and 9999                                     |



### Menu 3

| Parameter | Description                  | Input                                         | Setting range                                              |
|-----------|------------------------------|-----------------------------------------------|------------------------------------------------------------|
| Add       | Modbus Address               | △ or ▽ to increase or decrease Modbus address | Any number between 1 and 254                               |
| SLoc      | Setpoints Lock               | △ or ▽ to change between Locked/Unlocked      | 0: Unlocked<br>1: Locked                                   |
| CPSS      | Change Password              | △ to increase number and ▽ to change digit    | Any number between 0 and 9998                              |
| MS1       | Master Enable                | Master On/Off                                 | ON: Master On<br>OFF: Master Off                           |
| MS2       | Master Mode                  | △ or ▽ to change Master Mode                  | NONE: None<br>IDN: Identical Mode<br>PR: Power Mode        |
| MdL       | Power Mode Delta Temperature | △ or ▽ to increase or decrease temperature    | Min: 0<br>Max: 9999                                        |
| rS1       | Redundancy Mode              | △ or ▽ to change between Redundancy Modes     | NONE: None<br>A: Redundancy Mode A<br>B: Redundancy Mode B |
| rS2       | Redundancy Start-up          | △ or ▽ to increase starting units             | Min: 1<br>Max: 10                                          |
| rS3       | Redundancy Timeout           | △ or ▽ to increase time (Minutes)             | Min: 0<br>Max: 9999                                        |

### Alarm codes

| Alarm Code  | Description                            |
|-------------|----------------------------------------|
| AL1 - HI    | High Temp Alarm                        |
| AL2 - LO    | Low Temp Alarm                         |
| AL3 - PrEP  | Pressure Pipe Alarm                    |
| AL4 - AbS   | Ambient Sensor Faulty                  |
| AL5 - PPS   | Pressure Pipe Sensor Faulty            |
| AL6 - ICES  | Ice Sensor Faulty                      |
| AL7 - InS   | Internal Sensor Faulty                 |
| NA          | Not Available                          |
| AL9         | ...Check 'Digital Input 2' Table below |
| AL10 - ICE  | Ice Algorithm Active                   |
| AL11 - SLOC | Incorrect Sensor Location              |

### Digital Input 2 Table

|      |                 |
|------|-----------------|
| dIn2 | Generic Error   |
| PH_F | Phase Failure   |
| Pr_S | Pressure Switch |
| FL_S | Float Switch    |

### Test mode

- Test mode is started by simultaneously pressing △ and ▽ for 3 seconds.
- When Test run is active, tEST will be shown blinking on the display.

Test procedure when Internal Temperature is between 10°C and 49°C.

|                           |                             |
|---------------------------|-----------------------------|
| 0 - 30 seconds            | Ambient blower              |
| 30 seconds - 5:30 minutes | Ambient blower + compressor |
| 5:30 - 6:30 minutes       | Ambient blower + heater     |

## Master / Slave and Redundancy Functionality

### i) Master / Slave Mode - Specifications

- Network of maximum 10 units.
- The Modbus addresses of the units need to be set manually.
- Unit addresses need to be between 1 and 10.
- The Master unit must be set with Address 1. When setting a master, an extended menu opens to set the Master/Slave and Redundancy modes.
- The Master unit is the unit which controls all the Master/Slave and Redundancy Operations.
- The Client only needs to set the Master, the other units (addresses 2 to 10) do not need to be set and will convert to Slaves automatically. For a unit to be a slave and included in the network, an address between 2 and 10 needs to be pre-set.
- When communication with the Master is lost, all Slaves will return to normal mode.
- Setting the number of units in the network is not required as the Master will try to communicate with all Slaves (units 2 to 10), but operates the algorithm based on the online units.
- Every pre-defined time, the Master unit will try to communicate with the Offline Units.
- If a Slave is in an alarm condition, the Master will power the Alarm LED, but does not show the Alarm code.
- The system can operate in Master/Slave only, Master/Slave + Redundancy or Redundancy Only.
- If a unit needs to operate in Heating Mode, any Master/Slave/Redundancy operation is ignored. If the Master needs to operate in Heating Mode, the Slaves continue to operate in Master/Slave/Redundancy mode and enter cooling mode if necessary. The algorithm for the slaves will still be controlled by the Master, although the Master may possibly be in heating mode.
- The Master can only be enabled via the Display or via Gateway. It can be enabled via Modbus, but for the Gateway operation only rather than for Client use and a Modbus Controller will not be able to communicate with the units anymore. The Seifert Gateway acts as a Slave in the Master/Slave network and will still be able to communicate with the Master.

When a network is in MSR mode, the flashing of the 4th digit dot (right most digit), indicates the status of the unit in the MSR status. Below is a table describing the flashing based on the unit status.

|                       |                       |                                           |
|-----------------------|-----------------------|-------------------------------------------|
| Master Unit           | Continuous blinking   | <b>10101010101010101010101010101010</b>   |
| Slave Unit            | Blinking 2x and pause | <b>10100000000000101000000000</b>         |
| Master Unit Redundant | Blinking 3x and pause | <b>101010000000000010101000000000</b>     |
| Slave Unit Redundant  | Blinking 4x and pause | <b>1010101000000000001010101000000000</b> |

## Master settings

| Display | Description                          |
|---------|--------------------------------------|
| MS1     | Master On/Off                        |
| MS2     | Master Modes: None, Identical, Power |
| MdL     | Power Mode Delta Temperature         |

### MS2: Master Modes

None:

- All units are Independent of each other.
- Each unit operates using its own setpoint and its own Internal Temperature.
- The Master still communicates with the Slave units to gather information in case information needs to be communicated to the Gateway.

Identical Mode:

- All units operate as one single unit.
- The Master operates using the Maximum Internal Temperature in the network, and the Slaves follow the operation of the Master.
- In this mode, the client needs to only set the Master setpoints.
- If a Slave needs to execute the heating mode, Master/Slave operation is ignored.
- If the Master needs to execute the heating mode, the Slaves will keep operating on the Maximum Internal Temperature of the network.

Power Mode:

- All units operate using the Master Setpoints but using their own Internal Temperature.
- If any unit Internal Temperature exceeds the Master Control Setpoint + Delta, the Master takes back control of all the Slaves and operation is changed to Identical Mode.
- If all Internal Temperatures fall below the Master Control Setpoint, control is released from the Master and the Slaves will operate Independently based on their own Internal Temperature whilst using the Master Setpoints.
- If a Slave needs to operate in heating mode, Master/Slave operation is ignored.
- If the Master needs to operate in heating mode, the Slaves will keep operating on the Maximum Internal Temperature of the network.

## ii) Redundancy Mode

Redundancy settings

| Display | Description                            |
|---------|----------------------------------------|
| rS1     | Redundancy Modes: None, Mode A, Mode B |
| rS2     | Start-up Mode                          |
| rS3     | Changeover Timeout in Minutes          |

### RS1: Redundancy Modes:

#### None:

No redundancy, all units operate normally

#### Mode A:

In this mode, there will be 2 sets of units, and they will toggle between each other after a pre-defined time. The start-up units are settable.

Below is an example, starting with Units 1 to 4 ON (Grey ON, White OFF)

|   |   |   |   |   |   |   |   |   |    |
|---|---|---|---|---|---|---|---|---|----|
| 1 | 2 | 3 | 4 | 5 | 6 | 7 | 8 | 9 | 10 |
| 1 | 2 | 3 | 4 | 5 | 6 | 7 | 8 | 9 | 10 |
| 1 | 2 | 3 | 4 | 5 | 6 | 7 | 8 | 9 | 10 |
| 1 | 2 | 3 | 4 | 5 | 6 | 7 | 8 | 9 | 10 |

#### Mode B:

In this mode, the system will 'move' one unit at a time after the pre-defined time.

Below is an example, starting with Units 1 to 4 ON

|   |   |   |   |   |   |   |   |   |    |
|---|---|---|---|---|---|---|---|---|----|
| 1 | 2 | 3 | 4 | 5 | 6 | 7 | 8 | 9 | 10 |
| 1 | 2 | 3 | 4 | 5 | 6 | 7 | 8 | 9 | 10 |
| 1 | 2 | 3 | 4 | 5 | 6 | 7 | 8 | 9 | 10 |
| 1 | 2 | 3 | 4 | 5 | 6 | 7 | 8 | 9 | 10 |
| 1 | 2 | 3 | 4 | 5 | 6 | 7 | 8 | 9 | 10 |
| 1 | 2 | 3 | 4 | 5 | 6 | 7 | 8 | 9 | 10 |
| 1 | 2 | 3 | 4 | 5 | 6 | 7 | 8 | 9 | 10 |
| 1 | 2 | 3 | 4 | 5 | 6 | 7 | 8 | 9 | 10 |
| 1 | 2 | 3 | 4 | 5 | 6 | 7 | 8 | 9 | 10 |

Setting rS2, Start-up Mode, indicate the number of units to start when redundancy is active (Mode A/B). If the setting is set to 4, this means that on the first cycle, unit 1 to 4 are switched ON. If setting is set to 4 but unit 2 is offline, on the first cycle, units 1, 3, 4, 5 are ON.

- Setting rS3, Changeover Timeout, indicates the duration of each cycle. This can be a value from 1 to 9999 minutes.
- If a Slave needs to execute heating mode, Redundancy operation is ignored.
- If the Master needs to execute heating mode, the Slaves will keep operating based on the Redundancy Algorithm.
- The redundancy time increases only if there is at least one active (non-redundant) unit cooling from the active units group.
- The changeover between units happens only if no active unit is cooling.

## Modbus Communication

Detailed instructions on Modbus communication can be found in the link below.

[https://seifertsystems.com/site/assets/files/6903/rdtg2001-0\\_2\\_-\\_generic\\_modbus\\_table.pdf](https://seifertsystems.com/site/assets/files/6903/rdtg2001-0_2_-_generic_modbus_table.pdf)

Further notes:

- From Modbus side, any setting can be with 0.1°C precision. From the display, the precision is 0.5°C. When having a setting, example 30.4°C, this will be rounded to 30.5°C when accessed via display.
- When Ambient, Icing and Pressure are not enabled, the value displayed (Modbus) is -50°C.
- When saving settings via communication, "**S**" is shown on display for 1 second.
- When system goes in Cooling Mode, "**C**" is shown on display for 1 second.
- When system goes in Heating Mode, "**H**" is shown on display for 1 second.
- When accessing the Display Settings of Menu 2/3, any settings from Modbus are ignored.
- When running a test with the door contact open, the display only shows TEST, since the unit will not be OFF.
- When running a test with Alarms, the Alarms and TEST are shown together.
- When unit is **not** Modbus Address 1, the Master/Slave and Redundancy parameters are hidden from Menu3 when using Client Password. (MS1, MS2, MdL, rS1, rS2, rS3).
- The Blue LED is ON when the unit is cooling.
- A red LED is ON when the unit is heating.
- The red LED flashes when an alarm is present.

## 14. Wiring Diagram

### Power connector

|   |    |
|---|----|
| 1 | L1 |
| 2 | /  |
| 3 | N  |
| 4 | PE |

### Signal connector

|   |              |
|---|--------------|
| 1 | Alarm (NC)   |
| 2 | Alarm (COM)  |
| 3 | Alarm (NO)   |
| 4 | Door contact |
| 5 | Door contact |

### RS485 connector

|   |     |
|---|-----|
| 1 | A   |
| 2 | GND |
| 3 | B   |

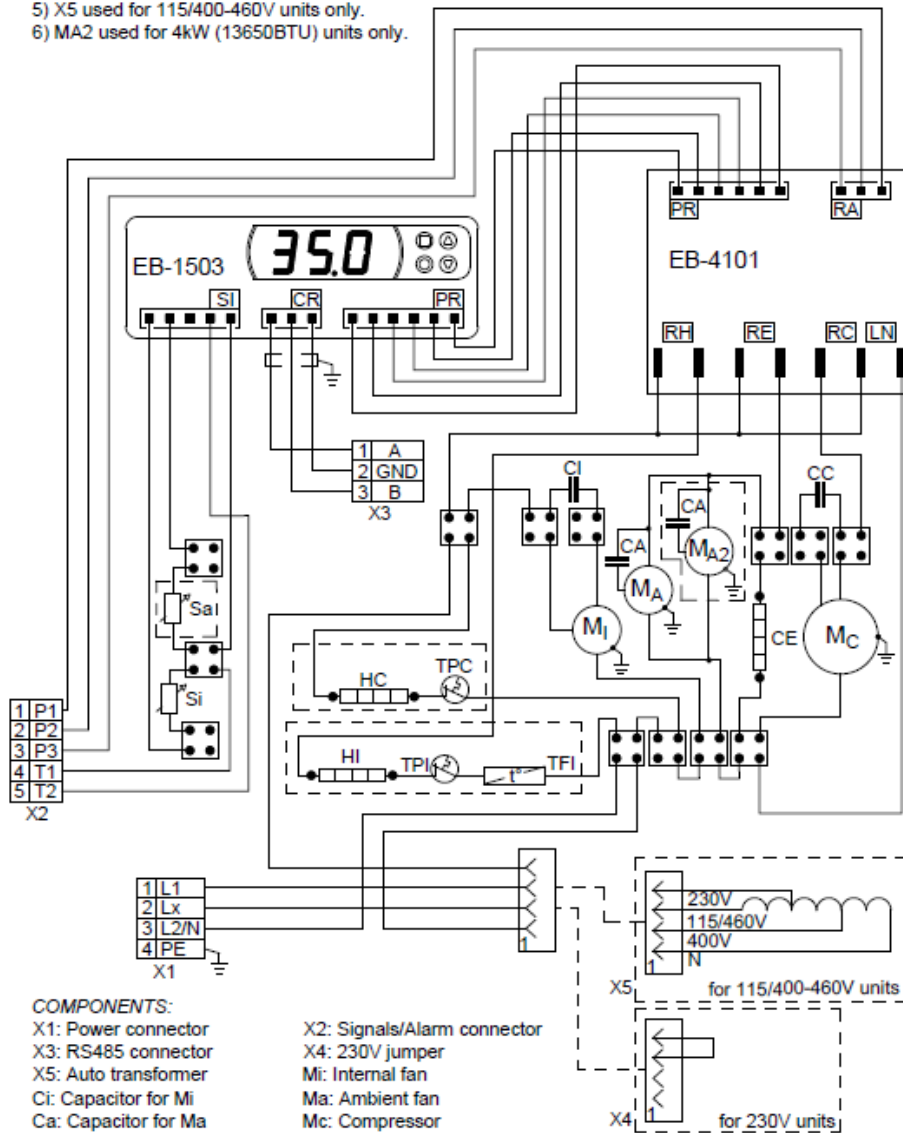
For MODBUS description click [HERE](#)

**NOTES:**

- 1) Use supply wires suitable for 75°C (167°F)
- 2) Use copper conductors only.
- 3) Optional components marked with dashed lines.
- 4) X4 used for 230V units only.
- 5) X5 used for 115/400-460V units only.
- 6) MA2 used for 4kW (13650BTU) units only.

**X1 ELECTRICAL SUPPLY CONNECTION**

- (see unit typeplate for unit voltage)  
 115/230V - 1:L1 (115/230V), 3:N  
 400V - 2:LX (400V), 3:L2 (400V)  
 460V - 1:L1 (460V), 3:L2 (460V)



**COMPONENTS:**

- |                               |                               |
|-------------------------------|-------------------------------|
| X1: Power connector           | X2: Signals/Alarm connector   |
| X3: RS485 connector           | X4: 230V jumper               |
| X5: Auto transformer          | Mi: Internal fan              |
| Ci: Capacitor for Mi          | Ma: Ambient fan               |
| Ca: Capacitor for Ma          | Mc: Compressor                |
| Cc: Capacitor for Mc          | Si: Internal temp. sensor     |
| Sa: Ambient temp sensor       | Hi: Internal heater           |
| TPI: Thermal protector (85°C) | TFI: Thermal fuse (102°C)     |
| HC: Compressor heater         | TPC: Thermal protector (85°C) |
| CE: Condensate heater         |                               |

5960030785 / a

## 15. Taking into Operation

### Attention!

The unit can be damaged by lack of lubricant. To ensure that the compressor is adequately lubricated the oil, which has been displaced during transport, must be allowed to flow back into it. The unit must therefore be allowed to stand for at least 30 min. before being connected to the mains and taken into operation.

The unit / system must be protected with a MCB Type D or K. Upon connection the internal fan will start working. If the temperature inside the enclosure is higher than the set value of the controller both the compressor and external air fan start working. The cooling cycle will either stop once the air inside the enclosure reaches the set temperature minus hysteresis or once the minimum On-time is reached. The setpoint for the internal enclosure temperature is pre-set at 35°C.

The hysteresis is 3K, the minimum ON-time is 4 minutes, the minimum OFF-time is 3 minutes, for units with a cooling capacity of more than 1 kW is it usually 7 minutes.

## 16. Trouble Shooting

| Failure                                                                                                   | Condition                                                                 | Cause                                                   | Solution                                                              |
|-----------------------------------------------------------------------------------------------------------|---------------------------------------------------------------------------|---------------------------------------------------------|-----------------------------------------------------------------------|
| Unit doesn't cool                                                                                         | Internal fan does not work                                                | Power not connected.                                    | Verify power supply                                                   |
|                                                                                                           | Internal fan works, external fan and compressor don't work                | Enclosure temperature is below setting temperature (St) | Verify values of parameter "St"                                       |
|                                                                                                           |                                                                           | Door switch contact is open                             | Verify door switch                                                    |
|                                                                                                           |                                                                           | Controller doesn't work                                 | Replace controller                                                    |
| Internal fan works, external fan and compressor don't work. Display shows alternating OFF and temperature | The sequence of the phases inside the power supply connector is incorrect | Change phases inside power supply connector             |                                                                       |
| Unit doesn't cool                                                                                         | External and internal fan work, compressor does not work                  | Compressor motor electrical failure                     | Have compressor replaced by qualified service technician              |
|                                                                                                           |                                                                           | Capacitor for compressor failed                         | Replace capacitor                                                     |
|                                                                                                           | Compressor works, external fan doesn't work                               | External fan needs to be replaced                       | Replace external fan                                                  |
| Enclosure temperature too hot                                                                             | Compressor and fans (external and internal) work all the time             | Cooling unit undersized                                 | Enclosure needs a cooling unit with higher capacity                   |
|                                                                                                           | Compressor and external fan work in alternating mode (ON / OFF)           | Thermal compressor protector triggered                  | Verify if ambient temperature is too high, clean condenser            |
|                                                                                                           |                                                                           | Refrigerant leakage                                     | Contact dealer/service center                                         |
| Excessive condensate                                                                                      | Enclosure door open                                                       | Ambient air gets into the enclosure                     | Ensure door is closed, add a door switch and connect it to controller |
|                                                                                                           | Enclosure door closed                                                     | Enclosure IP protection class is below IP54             | Seal all openings of the enclosure                                    |
|                                                                                                           |                                                                           | Damaged or misplaced sealing strip                      | Repair sealing strip accordingly                                      |



## 17. Maintenance & Cleaning



*Always switch power supply off before starting any maintenance on the unit.  
Wait for 5 minutes for electrical components to discharge.*

The cooling unit is generally maintenance free and can be operated without filters in most environments.

If the ambient air is extremely dusty, we recommend installing filter mats (see accessories). These should be cleaned or replaced at regular intervals. Oily or greasy filter mats should be replaced immediately. Do not use a steam jet or high pressure to clean the filter mats. Do not wring out the filter mats. If the ambient air is extremely oily, we recommend the use of metal filters (see accessories). They can be cleaned with standard cleaning agents and reused. In addition the unit should have regular functional tests (approx. every 2,000 hours depending on the grade of ambient pollution).

*Note:* The use of filter mats / metal filters reduces the cooling capacity of the unit..

### **Disposal**

The cooling unit contains R134a refrigerant and small quantities of lubricating oil. Replacement, repairs and final disposal must be done according to the regulations of each country for these substances.

## 18. Transport & Storage

### 1. **Malfunction due to transport damage**

On delivery the carton box containing the unit must be examined for signs of transport damage. Any transport damage to the carton box could indicate that the unit itself has been damaged in transit which in the worst case could mean that the unit will not function.

The unit can only be stored in locations which meet the following conditions:

- temperature range: - 40°C to + 70°C
- relative humidity (at 25°C): max. 95 %
- the cooling unit should always be stored according to the installation position

### **Returning the unit**

To avoid transport damage the unit should be returned in the original packing or in a packing case and must be strapped to a pallet. If the unit cannot be returned in the original packing please ensure that:

- A space of at least 30 mm. must be maintained at all points between the unit and the external packing.
- The unit must be shipped in the same position as it was mounted.
- The unit must be protected by shock resistant padding (hard foam corner pieces, strips or cardboard corner pieces).

## 19. Parts supplied / Spare parts / Accessories

| Description                               | QTY | Image                                                                               |
|-------------------------------------------|-----|-------------------------------------------------------------------------------------|
| Instruction manual                        | 1   |                                                                                     |
| CE Declaration                            | 1   |                                                                                     |
| Mounting template                         | 1   |                                                                                     |
| M6 * 16 bolts                             | 10  |    |
| A6.4 toothed washers                      | 10  |    |
| A6.4 washers                              | 10  |    |
| M4 * 12 bolt                              | 1   |    |
| 4 - pole terminal block for power         | 1   |    |
| 5 - pole terminal block for signals       | 1   |   |
| 3 - pole terminal block for RS 485 MODBUS | 1   |  |
| Cable gland M16 * 1.5                     | 1   |  |
| Lock nut M16 * 1.5                        | 1   |  |
| Cable gland M20 * 1.5                     | 1   |  |
| Lock nut M20 * 1.5                        | 1   |  |
| Cover plate                               | 1   |  |

**Seifert Systems GmbH**  
Albert-Einstein-Str. 3

42477 Radevormwald  
Germany  
Tel.+49 2195 68994-0  
info.de@seifertsystems.com

**Seifert Systems Ltd.**  
HF09/10

Hal-Far Industrial Estate  
Birzebbuga, BBG 3000  
Malta  
Tel.+356 2220 7000  
info@seifertsystems.com

**Seifert Systems AG**  
Wilerstrasse 16

4563 Gerlafingen  
Switzerland  
Tel.+41 32 675 35 51  
info.ch@seifertsystems.com

**Seifert Systems GmbH**  
Bärnthäl 1

4901 Ottmang  
Austria  
Tel.+43 7676 20712 0  
info.at@seifertsystem.com

**Seifert Systems Ltd.**  
Rep. Office

26100 Cremona  
Italy  
Tel.+39 349 259 4524  
info@seifertsystems.com

**Seifert Systems Inc.**

75 Circuit Drive  
North Kingstown  
RI 02852  
USA  
Tel.+1 401-294-6960  
info.us@seifertsystems.com

**Seifert Systems Pty Ltd.**

105 Lewis Road  
Wantirna South  
3152 Victoria  
Australia  
Tel.+61 3 98 01 19 06  
info@seifertsystems.com.au