

Filter Fan



Description

Order Number:	4010A3000
Brand Name:	SOLIFLEX
Colour:	RAL 7035
Housing Material:	ABS Plastic
Ingress Protection:	IP 54, Type 12, 3R
Optional:	Different housing colors available on request
Approvals:	CE, cURus, cULus, CSA

Accessories:



[Hose-proof protection hood FC 4000 000](#)



[Hose-proof protection hood FC 4000 000 FDA](#)



[Adjustable Thermostat NO](#)



[Filter media](#)

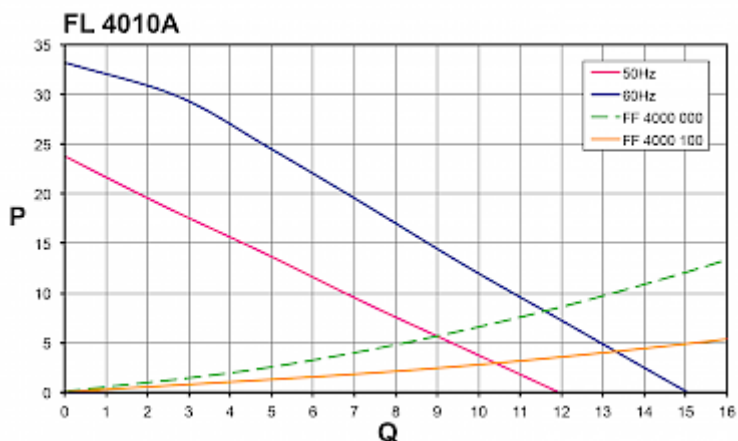
Technical Data

Operating Temperature Range:	-10°C - +55°C
Air flow unimpeded:	15 m ³ /h
Static pressure:	33 Pa
Dimensions A x B x C (D+E):	106.5 x 106.5 x 66.6 mm
Weight:	0.39 kg
Cut out dimensions:	92.5 +0.5 x 92.5 +0.5 mm
Voltage / Frequency:	120 V ~ 60 Hz
Rated current:	0.09 A
Power consumption:	7 W
Degree of separation:	85% - DIN 24185
Wall thickness:	1 - 2 mm
Filter class:	G3 according to EN 779
Installation:	Elastic clips
Noise level:	31 dB(A) @ 50 Hz 33 dB(A) @ 60 Hz

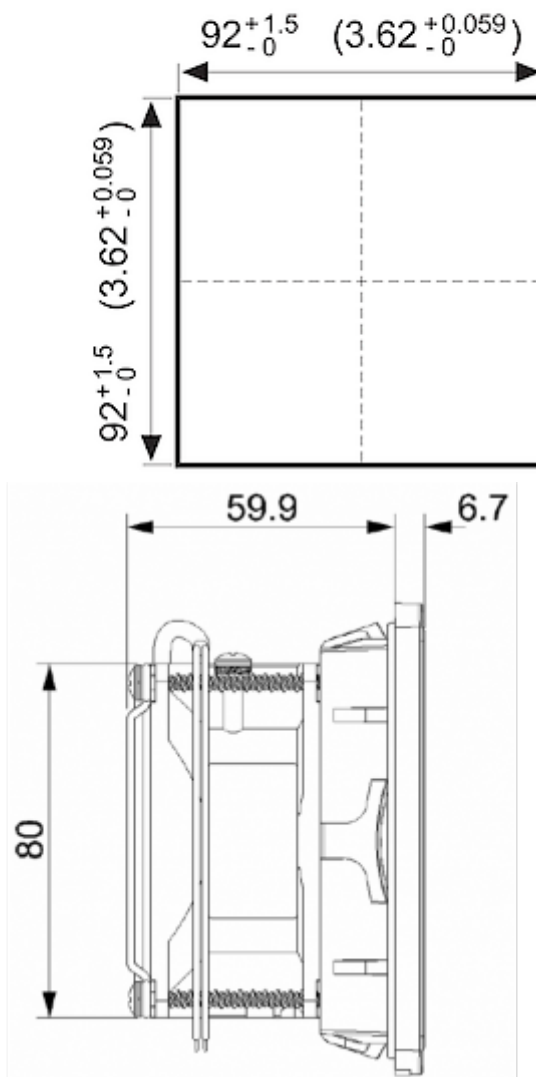
Please click on the graphics to download.
More CAD drawings can be found under [Product Download](#).
> [Overview Product Group SOLIFLEX - Filter fans & exhaust filters](#)

Air flow:

Q = Air flow [m³/h]
 P = Static pressure [Pa]



[click image to enlarge](#)

Cut Out Dimension:


[click image to enlarge](#)

Order Information

In RAL 9005

With TYPE 3R protection part no.

4010A3030

Taric code

84145915

GTIN (EAN)

5350604100114