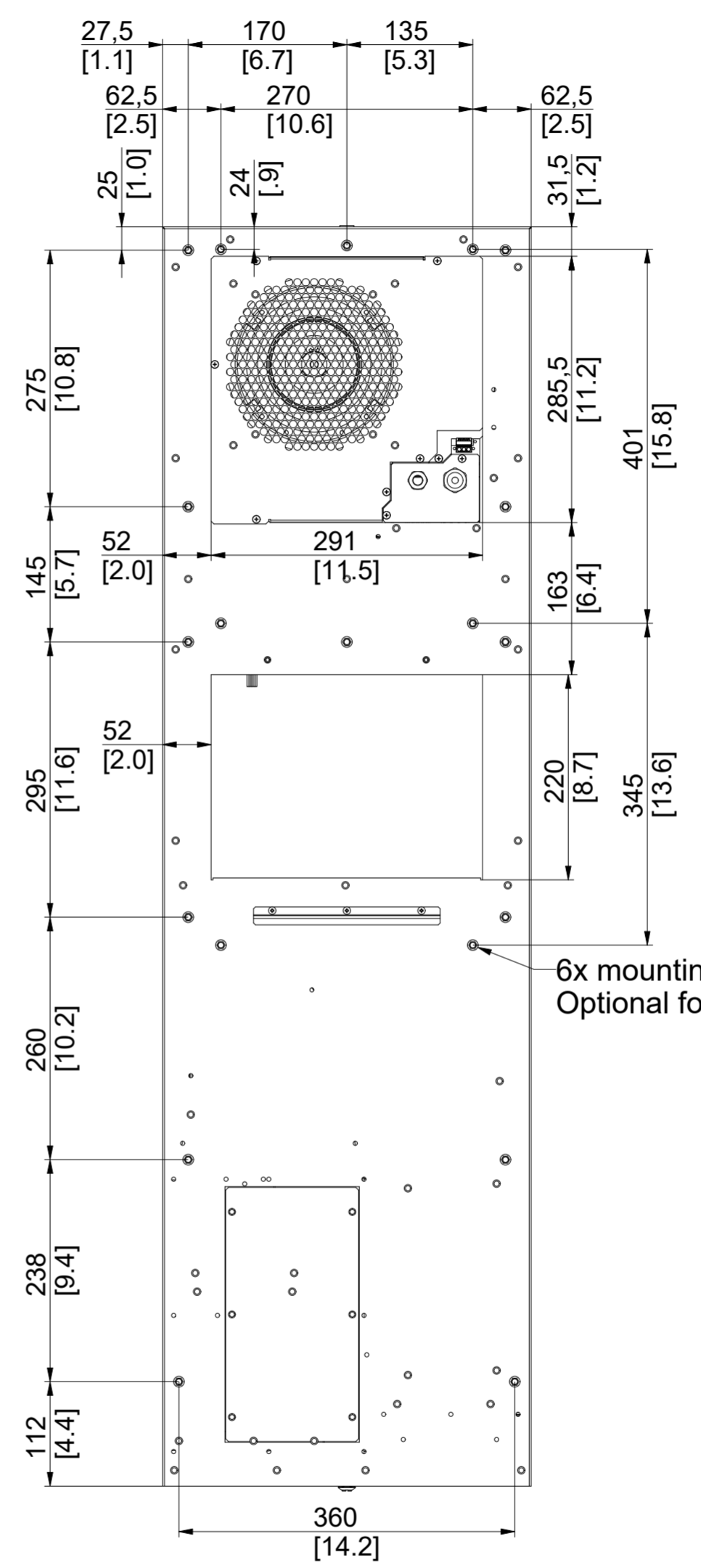
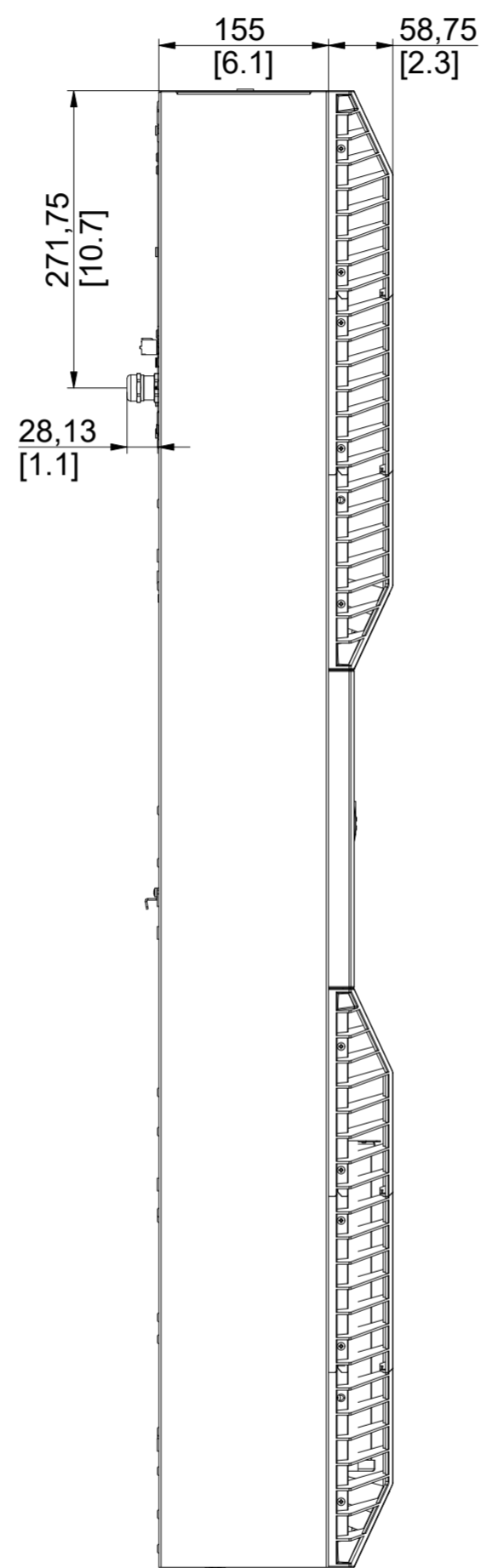
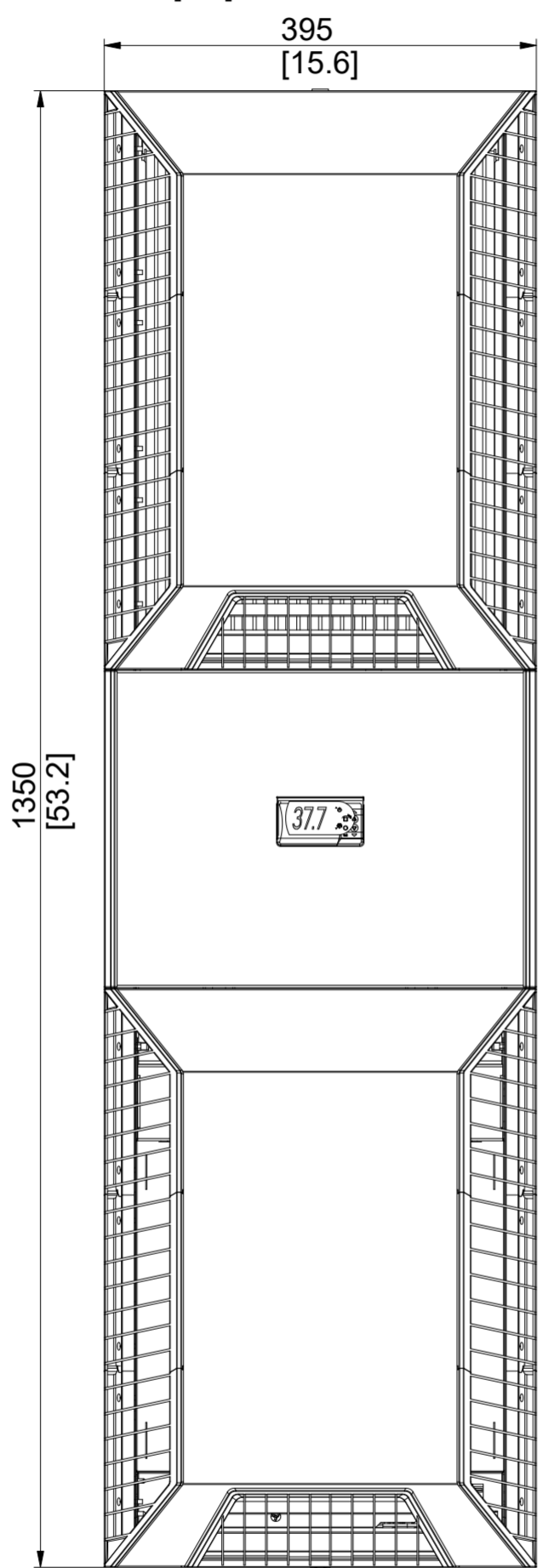
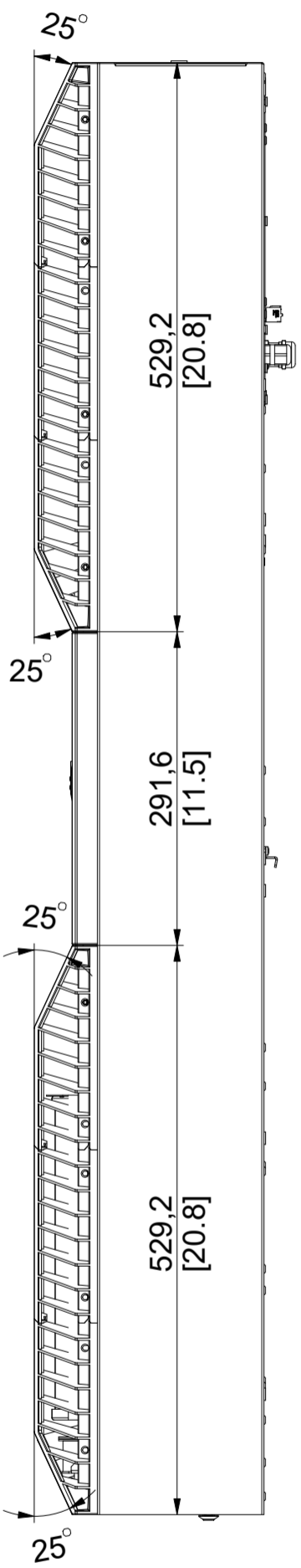


UNLESS OTHERWISE SPECIFIED, DIMENSIONS ARE IN MM. DIMENSIONS W/O TOLERANCES ISO2768-mK AS FOLLOWS. SURFACES ISO1302. TOLERANCES ARE NOT CUMULATIVE.

LINEAR DIMENSIONS							
0.5 to 3	>3 to 6	>6 to 30	>30 to 120	>120 to 400	>400 to 1000	>1000 to 2000	>2000 to 4000
±0.1	±0.1	±0.2	±0.3	±0.5	±0.8	±1.2	±2

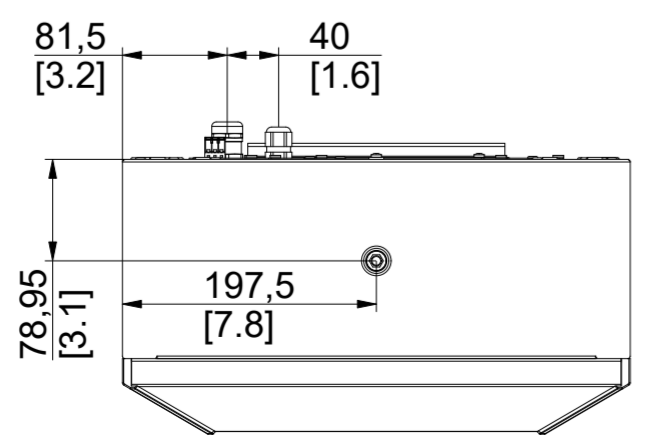
ANGULAR DIMENSIONS					BEND DIRECTION	
to 10	>10 to 50	>50 to 120	>120 to 400	>400	↖ ↗	BEND OUT
±1°	±0°30'	±0°20'	±0°10'	±0°5'	↘ ↙	BEND IN



6x mounting points
Optional for 400mm Cabinet mounting

NOTES:
1. THIS IS A PRO/ENGINEER PARAMETRIC DRAWING. ANY CHANGES MUST BE WITHIN PRO/INTRALINK.
2. REMOVE ALL BURRS AND SHARP EDGES.

REV	BY	DATE	DESCRIPTION
1.3	DC	04.09.23	Added dimensions for x2 ext. mounting points
1.2	DC	15.12.20	Added notes on sheet 2
1.1	BG	11.10.19	Added mounting points



45032	DRAWING	1.3	Work In Progress
KG-8525_COMPLETE	ASSEM	2.30	Work In Progress
PROJ_FILENAME	FILE TYPE	REV	RELEASE



Art.no.:	M5930045032		
Material:	-		
Air-conditioning Unit 2500W KG-8525			
Designed:	G.Zammit	25.08.2016	FIRST ANGLE PROJECTION
Drawn:	B.Galea	28.02.2018	SHEET SCALE
Checked:	G.Zammit	Approved: G.Zammit	1 of 2 0.170
45032			ISSUE SIZE
			1.3 A2

INTERNAL AIR INLET

RS485 CONNECTOR
(OPTIONAL)

STRAIN RELIEF PLATE
FOR POWER AND
SIGNALS CABLES

INTERNAL AIR OUTLET

MOUNTING BRACKET

M8 THREAD FOR LIFTING HARDWARE

AMBIENT AIR OUTLET

DIGITAL CONTROLLER
WITH DISPLAY

AMBIENT AIR INLET

Art.no.: M5930045032

Material: -

Air-conditioning Unit 2500W
KG-8525

SHEET	SCALE	SIZE	FIRST ANGLE PROJECTION
2 of 2	0.250	A2	

45032

45032	DRAWING	1.3	
KG-8525_COMPLETE	ASSEM	2.30	Work In Progress
PRO/E FILENAME	FILE TYPE	REV	RELEASE

SEIFERT
wegweisend innovativ

WE RESERVE ALL COPYRIGHT AND OTHER RIGHTS IN THIS DOCUMENT SEIFERT SYSTEMS LTD.