

Filter Fan



Description

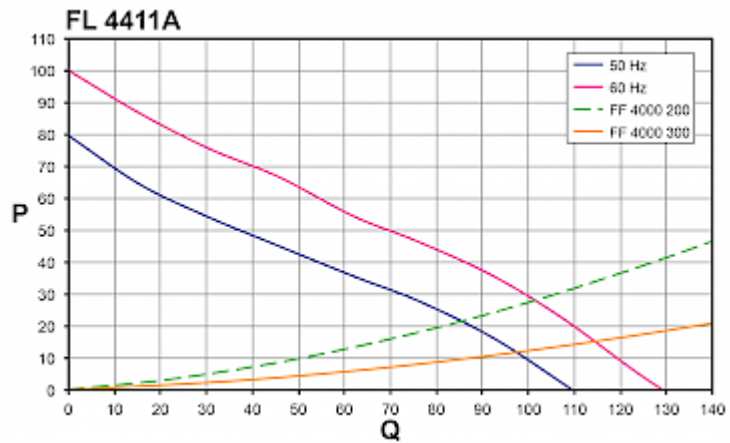
Order Number:	4411A4000
Brand Name:	SOLIFLEX
Color:	RAL 7035
Housing Material:	ABS Plastic
Ingress protection:	Type 12, 3R
Optional:	# 4411A4003 black
Approvals:	CE, cURus, cULus, CSA

Technical data

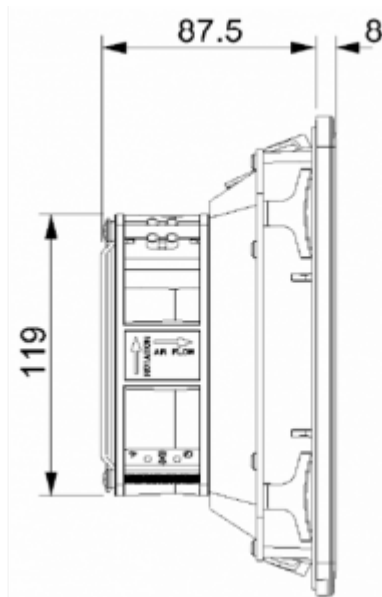
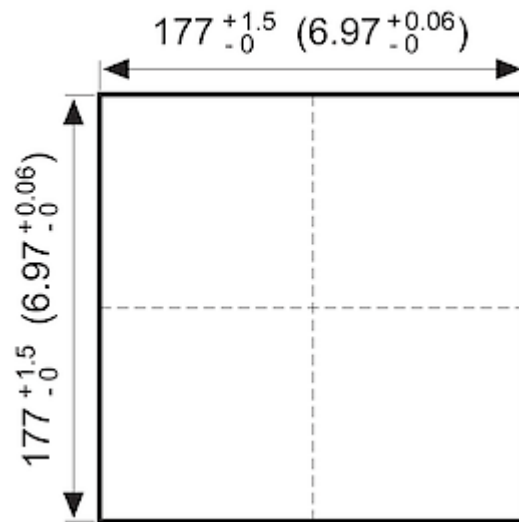
Operating temperature range:	14°F - +131°F
Air volume flow unimpeded:	65 cfm / 77 cfm
Static pressure:	0.32 inH2O @ 50Hz 0.40 inH2O @ 60Hz
Dimension H x W x D:	8.0 x 8.0 x 3.8 inch
Weight:	2.65 lbs
Cut out dimensions:	7.0 x 7.0 (+0.06) inch
Voltage / Frequency:	230 V ~ 50/60 Hz
Rated current:	0.13 A / 0.11 A
Power consumption:	19 W / 17 W
Degree of separation:	85% - DIN 24185
Wall thickness:	0.04 - 0.08 in.
Filter class:	G3 according to EN 779
Installation:	Elastic clips or by 4 self-threading screws
Noise level:	40 dB(A) @ 50 Hz 44 dB(A) @ 60 Hz

Air flow:

Q = Air flow [m³/h]
 P = Static pressure [Pa]



Cut out dimensions:



Order Information

In RAL 9005	4411A4003
With NEMA 3R protection part no.	4411A4033
Taric code	84145915
GTIN (EAN)	5350604100343