

## Thermostat NC



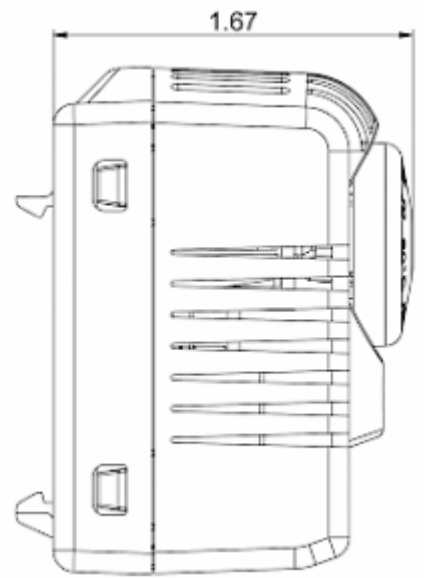
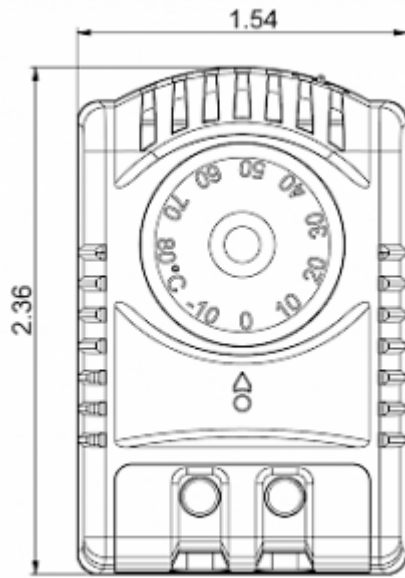
## Description

<b>Order Number:</b>	301110
<b>Brand Name:</b>	SOLIFLEX
<b>Color:</b>	Grey (RAL 7011)
<b>Housing Material:</b>	PC plastic
<b>Ingress protection:</b>	IP 20
<b>Note:</b>	Hyst. 7±3K / Sw.Pt.tol ±4K
<b>Approvals:</b>	CE, cURus
<b>UL File Number:</b>	E358385

## Technical data

<b>Operating temperature range:</b>	-40°F - 176°F
<b>Setting range:</b>	-10°C - 80°C
<b>Mounting:</b>	Clips for DIN rail 1.38 inch
<b>Dimension H x W x D:</b>	2.36 x 1.54 x 1.67 inch
<b>Weight:</b>	~ 2.3 oz.
<b>Voltage / Frequency:</b>	max. 250 V AC 16 A(res) / 2 A(ind) max. 72 V DC max. 30 W
<b>Lifetime:</b>	100,000 hrs.
<b>Connection:</b>	2-pole terminal, clamping torque 0.5 Nm max. solid wire - AWG 14 max stranded wire - AWG 16 max

**Cut out dimensions:**



## Order Information

<b>Zolltarifnummer</b>	90321089
<b>EAN Nummer</b>	5350604010123