

## Fan assisted resistor heater



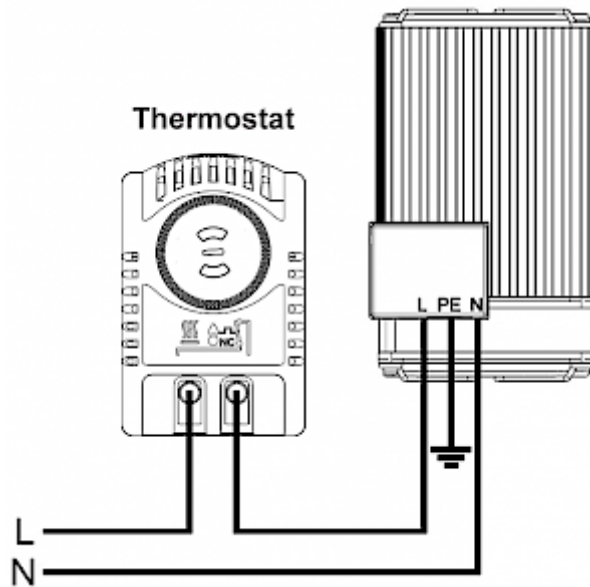
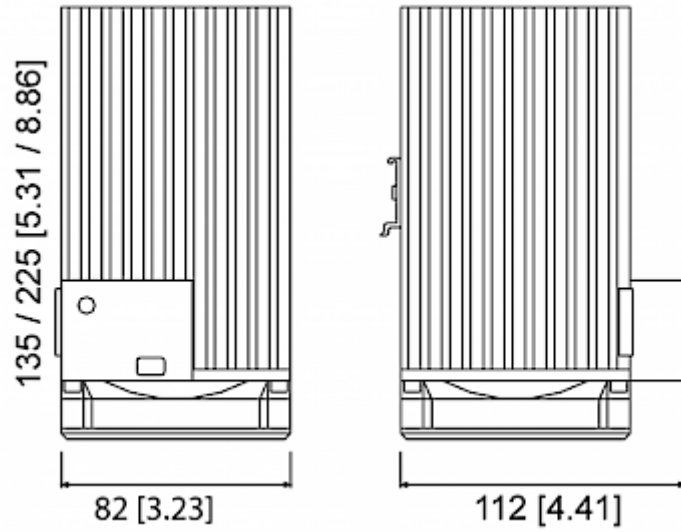
### Description

<b>Order Number:</b>	503501
<b>Brand Name:</b>	SOLIFLEX
<b>Color:</b>	silver
<b>Housing Material:</b>	Aluminum
<b>Ingress protection:</b>	IP 20
<b>Note:</b>	PTC resistance self-regulating
<b>Approvals:</b>	CE, cURus

## Technical data

<b>Heating power at 50°F:</b>	500 W
<b>Operating temperature range:</b>	-13°F - +158°F
<b>Mounting:</b>	DIN rail
<b>Dimension H x W x D:</b>	6.5 x 4.4 x 3.2 inch
<b>Weight:</b>	2.14 lbs.
<b>Voltage / Frequency:</b>	120 V ~ 50/60 Hz
<b>Max. current:</b>	4.8 A
<b>Fan air flow, approx.:</b>	20 cfm
<b>Connection:</b>	3 screw terminals for stranded or rigid wire AWG 14

**Cut out dimensions:**



## Order Information

<b>Zolltarifnummer</b>	85162999
<b>EAN Nummer</b>	5350604020153