

## Fan assisted resistor heater



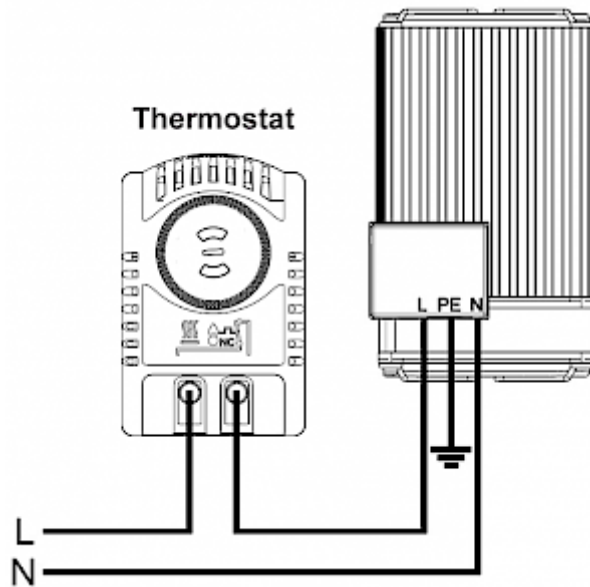
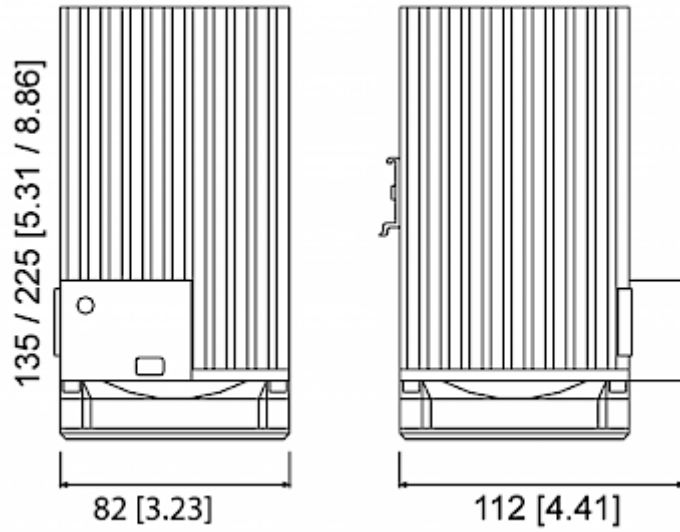
### Description

|                            |                                |
|----------------------------|--------------------------------|
| <b>Order Number:</b>       | 503750                         |
| <b>Brand Name:</b>         | SOLIFLEX                       |
| <b>Color:</b>              | silver                         |
| <b>Housing Material:</b>   | Aluminum                       |
| <b>Ingress protection:</b> | IP 20                          |
| <b>Note:</b>               | PTC resistance self-regulating |
| <b>Approvals:</b>          | CE, cURus                      |

## Technical data

|                                     |   |
|-------------------------------------|---|
| <b>Heating power at 50°F:</b>       | 750 W   |
| <b>Operating temperature range:</b> | -13°F - +158°F                                      |
| <b>Mounting:</b>                    | DIN rail  |
| <b>Dimension H x W x D:</b>         | 8.8 x 4.4 x 3.2 inch                                |
| <b>Weight:</b>                      | 3 lbs.  |
| <b>Voltage / Frequency:</b>         | 230 V ~ 50/60 Hz                                    |
| <b>Max. current:</b>                | 3.6 A   |
| <b>Fan air flow, approx.:</b>       | 26 cfm  |
| <b>Connection:</b>                  | 3 screw terminals for stranded or rigid wire AWG 14 |

**Cut out dimensions:**



## Order Information

|                        |               |
|------------------------|---------------|
| <b>Zolltarifnummer</b> | 85162999      |
| <b>EAN Nummer</b>      | 5350604020160 |