

Thermoelectric cooler



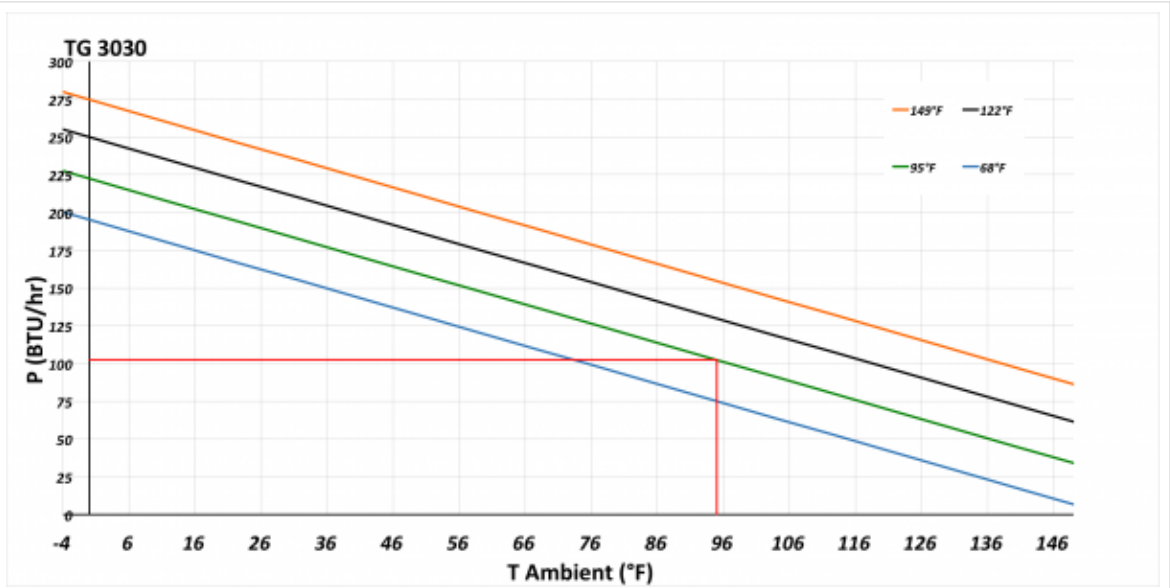
Description

Order Number:	3035303
Brand Name:	SOLITHERM PELTIER
Housing Material:	Stainless steel AISI 304 (V2A)
Ingress protection:	IP 66 / UL Type 12, 4, 4X
Note:	The torque for the mounting nuts should be 4.5 Nm.
Approvals:	CE

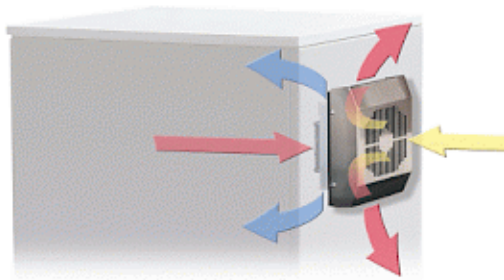
Technical data

Cooling capacity 95F/95F:	100 BTU
Operating temperature range:	-4°F - 158°F
UL temperature range:	-4°F - 149°F
Air volume flow (system / unimpeded):	Umgebungskreislauf: 39 / 75 m ³ /h Schrankkreislauf: 20 / 62 m ³ /h
Mounting:	Recessed
Dimension H x W x D:	110 x 154 x 129 (62+67) mm
Weight:	4 lbs.
Cut out dimensions:	4.8 x 3.54 inch
Voltage / Frequency:	24 V DC
Current 95F95F:	2 A
Starting current:	4 A
Max. current:	2.2 A
Nominal power 95F95F:	44 W
Max. power:	52 W
Fuse:	5 A (T)
Connection:	Connection terminal block

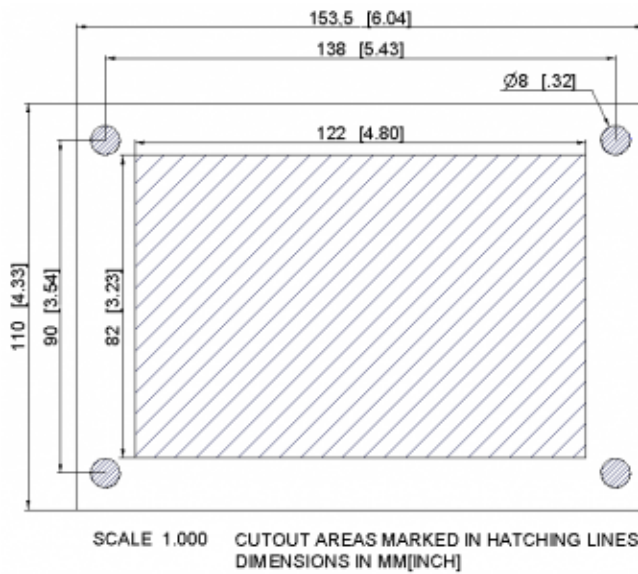
Performance graph:



Air flow:



Cut out dimensions:



Order Information

Stainless steel AISI 316 (V4A) housing part no.	30353034
Verpackungsmaße	244 x 187 x 174 mm
Bruttogewicht	2.5 kg
Taric code	84158300