

Filter Fan FL 4421A 120V



Product Features

Order Number:	4421A3000
Color:	RAL 7035
Housing Material:	ABS Plastic
Ingress protection:	NEMA 12
Optional:	# 4421A3003 black # 4421A3033 black, NEMA 3R
Approvals:	CE, cULus, CSA
Taric Code:	84145915

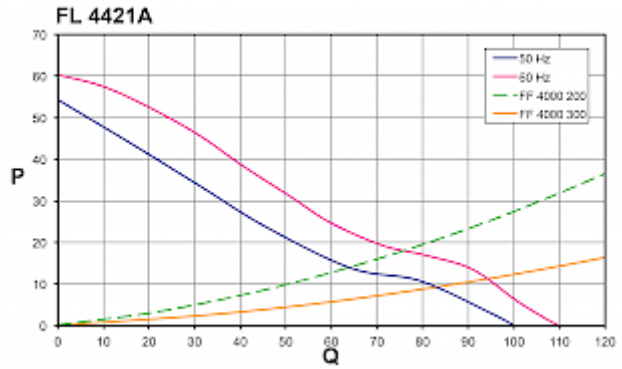
Technical data FL 4421A 120V

Temperature range:	14°F - +131°F
Static pressure:	0.24 inH2O
Dimension HxWxD:	8.0 x 8.0 x 3.8 inch
Weight:	2.7 lbs
Cut out dimensions:	7.0 x 7.0 (+0.06) inch
Voltage / Frequency:	120 V ~ 60 Hz
Rated current:	0.20 A
Power consumption:	18 W
Degree of separation:	85% - DIN 24185
Wall thickness:	0.04 - 0.08 in.
Filter class:	G3 according to EN 779
Installation:	Elastic clips or by 4 self-threading screws
Noise level:	49 dB(A)

Please click on the graphics to download.
 More CAD drawings can be found under [Product Download](#).
 > [Overview product group Filter Fans & Exhaust Filters](#)

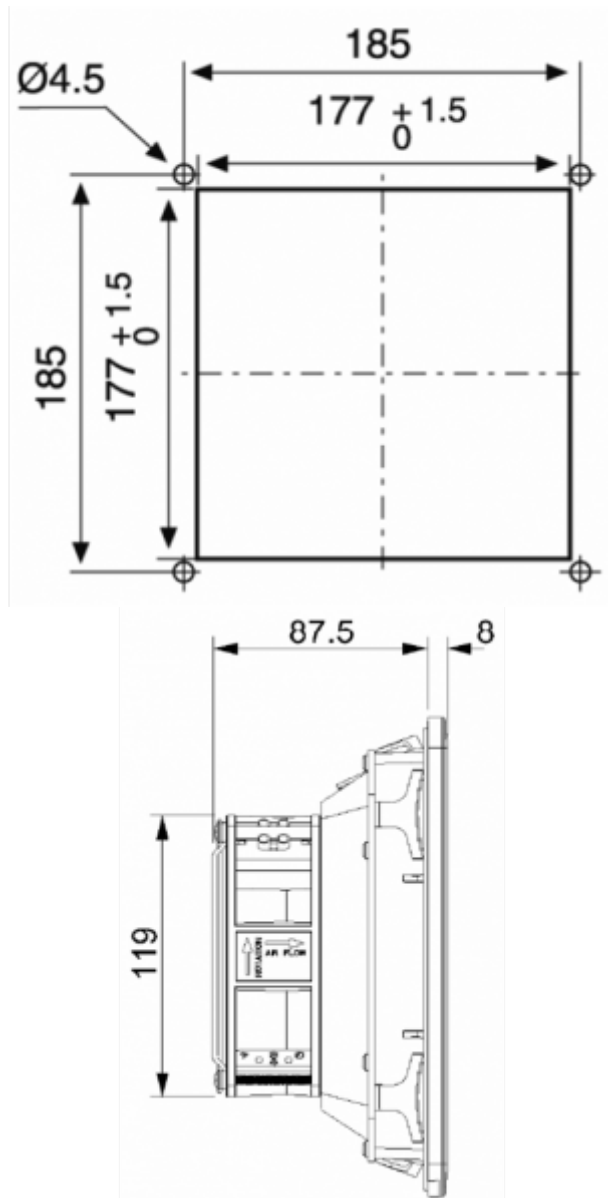
Air flow:

Q = Max. Air Flow (cfm)
P = Static pressure (inH2O)



[click image to enlarge](#)

Cut out dimensions:



[click image to enlarge](#)